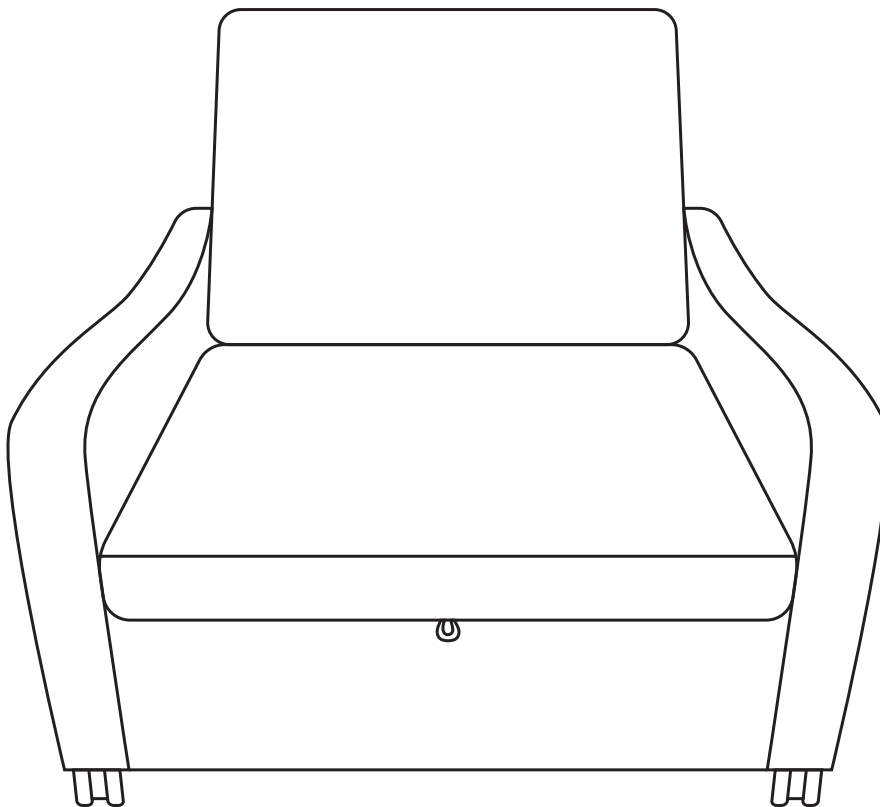




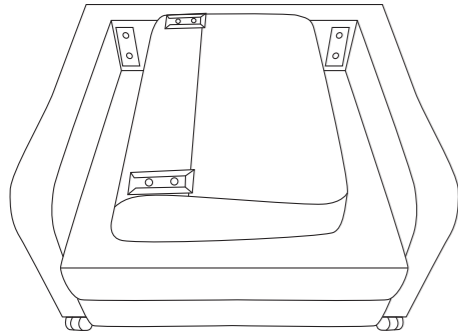
COMFY SLEEPER CHAIR-BED

ASSEMBLY GUIDE

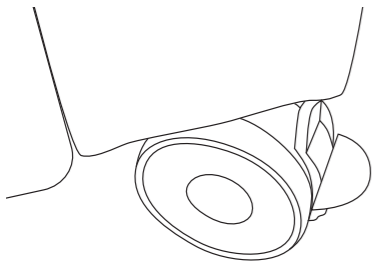


ASSEMBLY INSTRUCTIONS

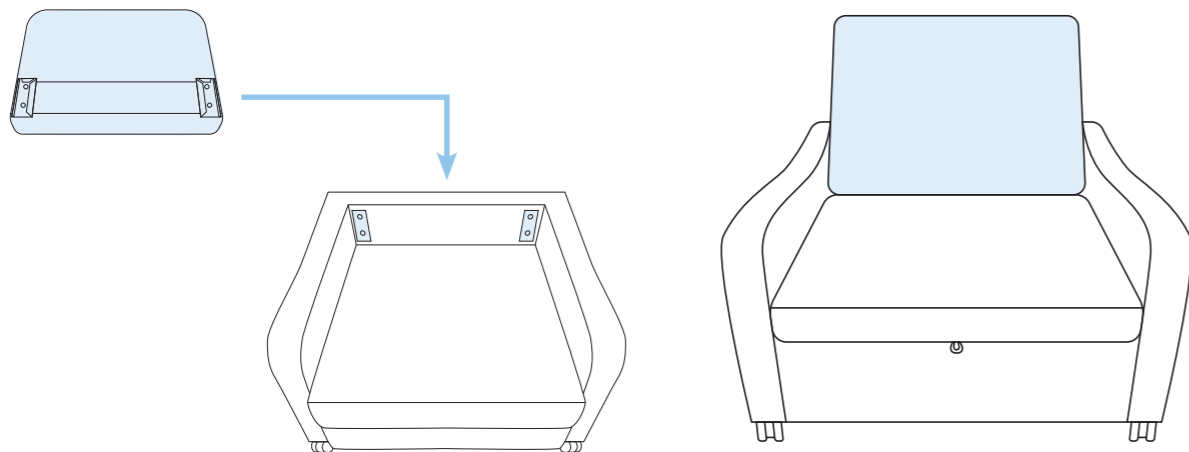
1. Your Comfy Sleeper Chair-Bed will arrive in the carton with the backrest resting on the seating surface



2. Lock 2 x braking castors at the rear of the chair



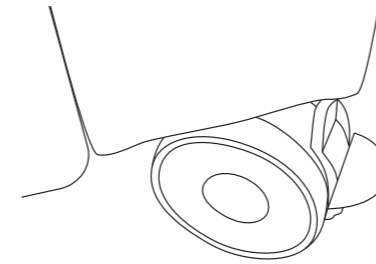
3. Mount the backrest onto the frame by locating the 2 x rear black locking brackets onto the receiver arms. Push all the way down until a notable 'click' is heard



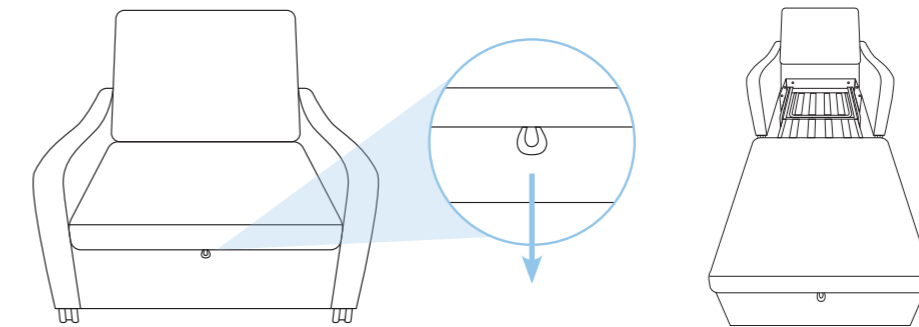
*The image shows brackets facing forward. This is for illustration only. The brackets should face the rear of the chair when mounting

TO ENGAGE THE BED POSITION

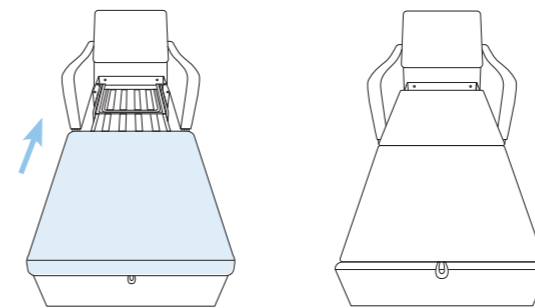
1. Lock 2 x braking castors at the rear of the chair



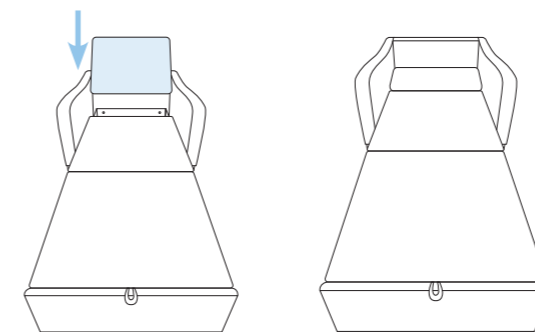
2. Locate pull tab handle and pull away from the chair to extend sleeping platform. Pull all the way out until a notable 'click' is heard



3. Pull back the soft padded section back towards chair to create a full sleeping surface



4. Push back cushion down towards sleeping surface to engage the pillow. Chair is now ready for sleeping



5. To return to chair mode, reverse steps 1-4

backtosleep.com.au

1300 848 077

ASUM104.5 080224



back to sleep[®]
the bedding & mobility specialists



aspire