



POSTUREFIT LIFT RECLINE CHAIR

USER MANUAL



Thank you for choosing the Aspire PostureFit Lift Recline Chair.

This chair has been specifically designed to offer comfort,
support and safety.

**It is important that you read this user manual carefully before
using your new Lift Recline Chair.**

TABLE OF CONTENTS

1. Symbols Used in Manual	4
2. Symbols Used on this Product	5
3. Introduction	6
4. Warnings	7
5. Your PostureFit Lift Recline Chair	9
6. Assembly Guide	12
7. Operation	15
8. Accessories and Custom Options	20
9. Troubleshooting	21
10. Care And Maintenance	22
11. Warranty	23
12. Compliance	24
13. Service Maintenance & Customisation	24
14. Specifications	24
15. Recycling Information	25
16. Manufacturer, UK representative & Importer Details	25
17. Notes	26

UK This product Features the UKCA mark, in compliance with Part II
CA UK MDR 2002 (as amended) Class 1.

© Aidacare Pty Ltd 2023

No part of this user manual may be copied, distributed, reproduced, scanned or stored on any electronic database, whether in whole or in part in any form or by any means.

Due care has been taken to ensure all the information contained in this user manual is correct at the time of printing. All measurements, pictures, colours and weight capacities are to be used as a guide only. We reserve the right to modify the design or appearance of any product displayed in this user manual without prior notice.

1. SYMBOLS USED IN MANUAL

The symbols below are used throughout this owner's manual and on the product to identify warnings and important information. It is very important for you to read them and understand them completely.



WARNING! Indicates a potentially hazardous condition/situation. Failure to follow designated procedures can cause either personal injury, component damage or malfunction. On the product, this icon is represented as a black symbol on a yellow triangle with a black border.



MANDATORY! These actions should be performed as specified. Failure to perform mandatory actions can cause personal injury and/or equipment damage. On the product, this icon is represented as a white symbol on a blue dot with a white border.



PROHIBITED! These actions are prohibited. These actions should not be performed at any time or in any circumstances. Performing a prohibited action can cause personal injury and/or equipment damage. On the product, this icon is represented as a black symbol with a red circle and red slash.

Please fill out the following information for quick reference:

Aspire Dealer	
Address	
Phone Number	
Purchase Date	
Serial Number	

NOTE: This owner's manual is compiled from the latest specifications and product information available at the time of publication. We reserve the right to make changes as they become necessary. Any changes to our products may cause slight variations between the illustrations and explanations in this manual and the product you have purchased. The latest/current version of this manual is available on our website.

2. SYMBOLS USED ON THIS PRODUCT

PRODUCT SAFETY SYMBOLS

The symbols below represent labels used on the product to identify warnings, mandatory actions and prohibited actions. It is very important for you to read and understand these symbols completely. Do not remove these labels from your product. Please note that not all of the symbols may be used on your PostureFit Lift Recline Chair model.



Product Code



Serial Number



Manufacturer



Importer



Country of Manufacture



Authorised Representative in UK



Safe Working Load



UKCA Mark



Read User Manual



Caution



Medical Device



Type B as per IEC60601-1



Class 2 Electrical Equipment



Includes Electronics components and should be mixed not be mixed with General household waste

3. INTRODUCTION

INTENDED USE

This product is specifically designed for individuals who, due to a wide variety of reasons, have limited mobility or postural and seating issues. This product should be used as a tool to assist with these issues, especially when standing from a chair or seating support is difficult for a person.

Lift Recline chairs can be plugged into a power source to provide electric positioning and standing options for the specific user. This lift recline chair can be operated by a user sitting in the chair or with the assistance of a carer, via the hand control. This lift recline chair is designed for indoor use ONLY and must not be used outdoors under any circumstance.

SAFETY

CONGRATULATIONS on purchasing your Aspire PostureFit Lift Recline Chair. The product you have purchased combines state-of-the-art components with **safety**, comfort and styling in mind. We are confident the design features will provide you with the conveniences you expect during your daily activities. Understanding how to **safely** operate and care for this product should bring you years of trouble-free operation and service.

Read and follow all instructions, warnings and notes in this manual and all other accompanying literature before attempting to operate this product for the first time. In addition, your **safety** depends upon you, as well as your dealer, carer or healthcare professional in using good judgement.

If there is any information in this manual which you do not understand, or if you require additional assistance for setup or operation, please contact your authorised Aspire Dealer. **Failure to follow the instructions, warnings and notes in this manual and those located on your Aspire product can result in personal injury or product damage and will void the Aspire product warranty.**

PURCHASER'S AGREEMENT

By accepting delivery of this product, you promise that you will not change, alter or modify this product or remove or render inoperable or unsafe any guards, shields or other safety features of this product; fail, refuse or neglect to install any retrofit kits from time to time provided by Aspire to enhance or preserve the safe use of this product.

INFORMATION EXCHANGE

We want to hear your questions, comments and suggestions about this manual. We would also like to hear about the safety and reliability of your new PostureFit Lift Recline Chair and about the service you received from your authorised Aspire Dealer. Please notify us of any change of address, so we can keep you apprised of important information about safety, new products and new options that can increase your ability to use and enjoy your PostureFit Lift Recline Chair.

Please feel free to contact Aidacare.

NOTE: If you ever lose or misplace your product registration card or your copy of this manual, contact us and we will be glad to send you a new one immediately.

4. WARNINGS

Your Aspire PostureFit Lift chair is an assistive device designed to assist with pressure care and increase mobility. The selection of size, configuration and accessories of the chair must be taken by the user, if capable of making such decisions and/or by a competent trained health professional.

It is advised that you, the lift chair user be given full training on "How To Operate The PostureFit Lift Recline Chair Safely" before using the chair by the trained allied health professional and the operations of the chair must be practiced prior to independent use

WEIGHT LIMITATIONS

Your PostureFit Lift Recline Chair is rated for a maximum weight capacity of 160kg/25st.



MANDATORY! Stay within the specified weight capacity of your PostureFit Lift Recline Chair. Failure to do so may result in injuries and/or product damage, Aidacare will not be held responsible for any such issues/failures.

PINCH/CRUSH HAZARDS

The scissor and lift mechanisms are labelled as pinch/crush point hazards on your PostureFit Lift Recline Chair. Keep clear of these areas and make sure the path of motion is unobstructed. See figure 3.1 for pinch/crush point locations.



WARNING! Do not place objects or appendages in the path of moving parts.

DEGREE OF PROTECTION/MODE OF OPERATION

- Class II equipment/Type B protection against electric shock
- Mode of operation—Maximum Duty Cycle: 2min ON/ 5min OFF

STORAGE AND OPERATION TEMPERATURES

- Transportation or storage: - 75°C/-104°F to 70°C/158°F
- Operation: 10°C/50°F to 40°C/104°F



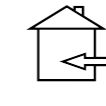
Do not connect an extension lead to the AC/DC converter or the battery charger



This product has been tested and complies to IEC 60601-1-2



Pinch/crush points hazard! Do not place objects or appendages in the path of moving parts



Indoor use only. Avoid exposure to rain, snow, ice, salt or standing water. Maintain and store in a clean and dry environment



Do not place objects under the PostureFit Lift Recline Chair. Make sure the area is clear of obstructions, including pets and small children during operation



Do not place objects under the footrest when the PostureFit Lift Recline Chair is in the fully reclined position. Make sure area is clear of obstructions, including pets and small children during operation



Removal of grounding prong can create electrical hazard. If necessary, properly install an approved 3-pronged adapter to an electrical outlet having 2-pronged plug access



Do not cover or place the external transformer under the riser recliner. Keep in an open, well-ventilated area free from foreign material and away from possible pinch points

5. YOUR POSTUREFIT LIFT RECLINE CHAIR

ELECTROMAGNETIC AND RADIO FREQUENCY INTERFERENCE (EMI/RFI)



WARNING

WARNING! Laboratory tests have shown that electromagnetic and radio frequency waves can have an adverse affect on the performance of electrically-powered devices, such as PostureFit Lift Recline Chairs.

Electromagnetic and Radio Frequency Interference can come from sources such as cellular phones, mobile two-way radios (such as walkie-talkies), radio stations, TV stations, amateur radio (HAM) transmitters, wireless computer links, Wifi, microwave signals, paging transmitters and medium-range mobile transceivers used by emergency vehicles. In some cases, these waves can cause unintended movement or damage to the control system of electrically-powered devices. The PostureFit Lift Recline Chair user can help prevent electromagnetic interference by maintaining a minimum distance between portable and mobile RF communications equipment. It is recommended that at least 3 metres (9 feet) of distance be maintained between the PostureFit Lift Recline Chair and any handheld equipment emitting 10 W or more of output power. Refer to the manufacturer's literature for the handheld device to determine the maximum output power of that device.

Every electrically-powered device has an immunity (or resistance) to EMI. The higher the immunity level, the greater the protection against EMI. Per EMC standards, this product has passed immunity testing and is rated as a Group 1, Class B product, meaning the PostureFit Lift Recline Chair uses RF energy only for its internal function. Therefore, its RF emissions are very low and are not likely to cause any interference in nearby electronic equipment making the PostureFit Lift Recline Chair suitable for use in all establishments, including domestic establishments and hospitals.



WARNING! Be aware that cell phones, two-way radios, laptops and other types of radio transmitters may cause unintended movement of your electrically-powered device due to EMI. Exercise caution when using any of these items while operating your PostureFit Lift Recline Chair.



WARNING

WARNING! The addition of accessories or components to the PostureFit Lift Recline Chair can increase the susceptibility of the chair to EMI. Do not modify your PostureFit Lift Recline Chair in any way not authorised by Aidacare.

WARNING! Your PostureFit Lift Recline Chair itself can disturb the performance of other electrical devices located nearby, such as alarm systems.

NOTE: If unintended motion occurs, discontinue use of the PostureFit Lift Recline Chair. Contact Aidacare to report the incident.

BODY COMPONENTS

This section describes the features of your PostureFit Lift Recline Chair. Carefully review the function and location of each item described, and note that the illustrations and option locations shown in this manual may not reflect the type of PostureFit Lift Recline Chair that you own.

FIGURE 5.1 POSTUREFIT LIFT RECLINE CHAIR MAIN COMPONENTS

Lift Mechanism: Responds to the hand control commands to position the chair in the sit, recline and stand positions.

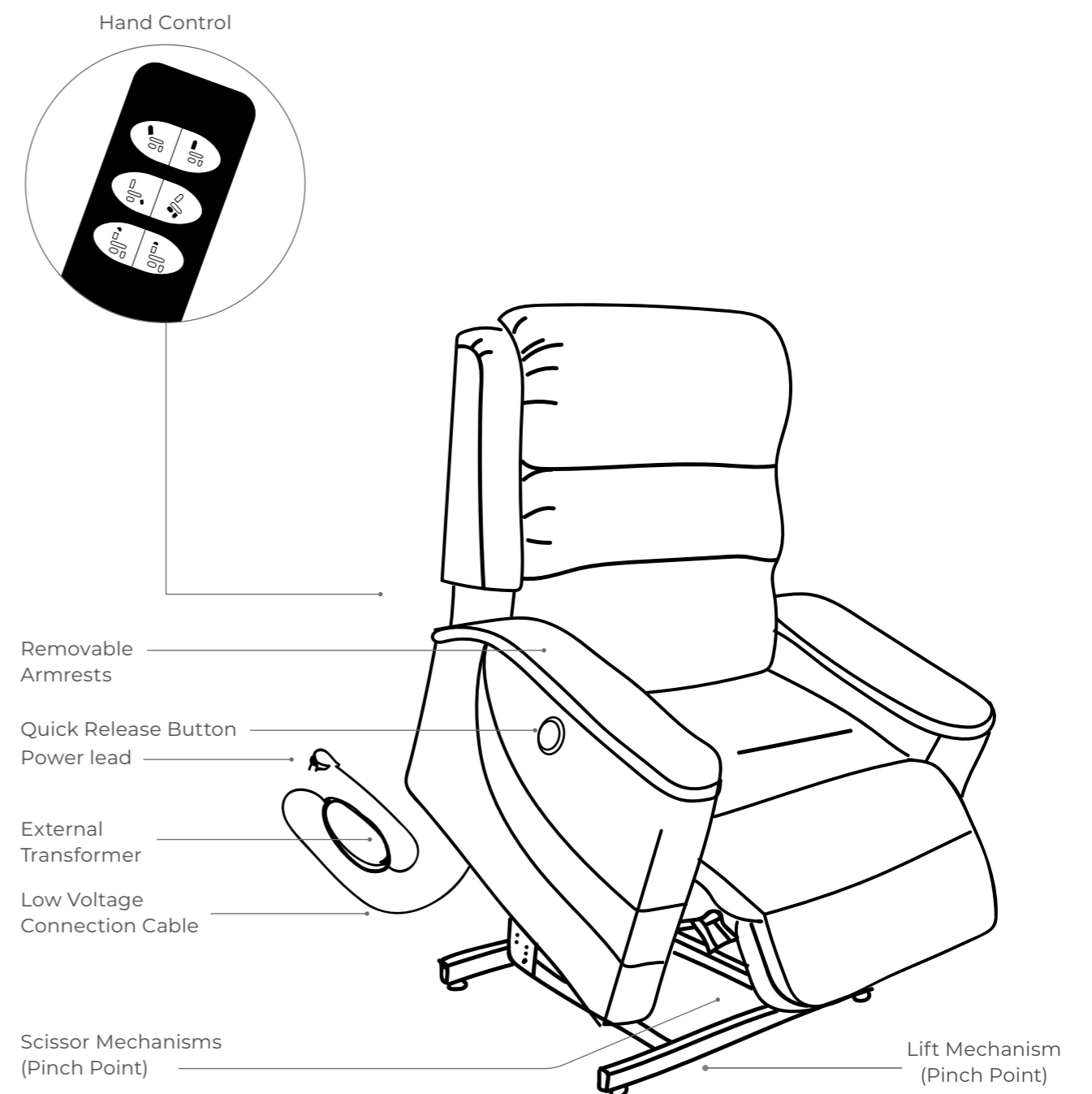


FIGURE 5.2 SCISSOR MECHANISM

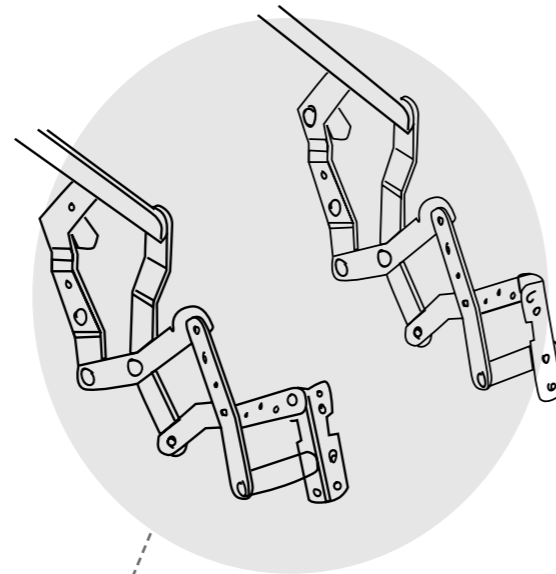
Scissor Mechanisms: Extend or retract to take the chair through the various stages of recline.



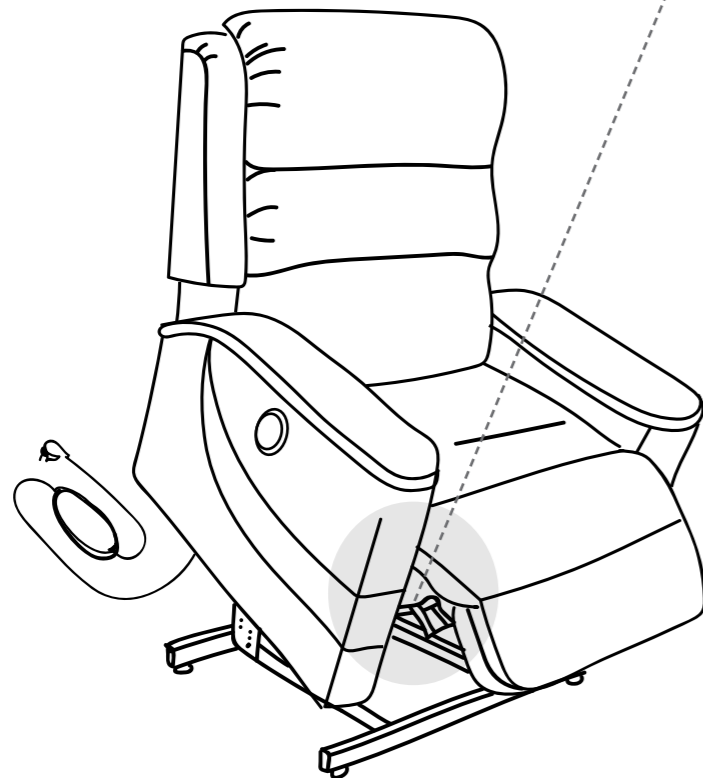
WARNING! Pinch/Crush Points Hazard!

Be aware that the lift mechanism and scissor mechanisms are a pinch point on the PostureFit Lift Recline Chair. Keep the following items and similar objects clear of these points when operating the PostureFit Lift Recline Chair:

- Appendages
- Small children
- Pets
- Wires
- Oxygen tubes
- Loose items, including but not limited to clothing and blankets
- Electrical power leads



Scissor Mechanism
(Pinch Point)



ELECTRICAL COMPONENTS

Your Aspire PostureFit Lift Recline Chair is equipped with a low voltage DC motor system that reduces the standard household alternating current of 90V AC – 264V AC to direct current (24/39V DC). The electrical components include the external transformer, batteries and hand control. Keep these areas free from moisture at all times.



WARNING

WARNING! Keep all electrical components free from moisture at all times to prevent shock and/or electrical hazard.

External Transformer: Connects to a standard electrical outlet to provide power to the PostureFit Lift Recline Chair. The transformer may be equipped with an LED indicator, which shows green when power to the transformer is on.

NOTE: Aidacare is not responsible for damage due to improper installation.

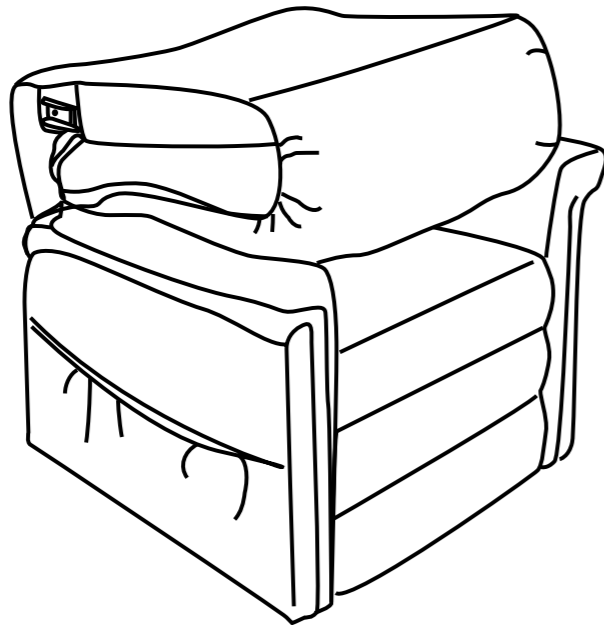
Hand Control: Contains the controls needed to operate the various functions of the PostureFit Lift Recline Chair. Refer to V. "Operation" for more information. The hand control may be equipped with a quick-release connector, which enables the user to detach the hand control from the PostureFit Lift Recline Chair, disabling all functions of the hand control.

6. ASSEMBLY GUIDE

Aspire PostureFit Lift Recline Chairs require assembly before initial use. It may also require disassembly to allow for easier servicing and maintenance. Your Lift Recline Chair is a Knock-Down (KD) design so please follow the instructions below to complete assembly.

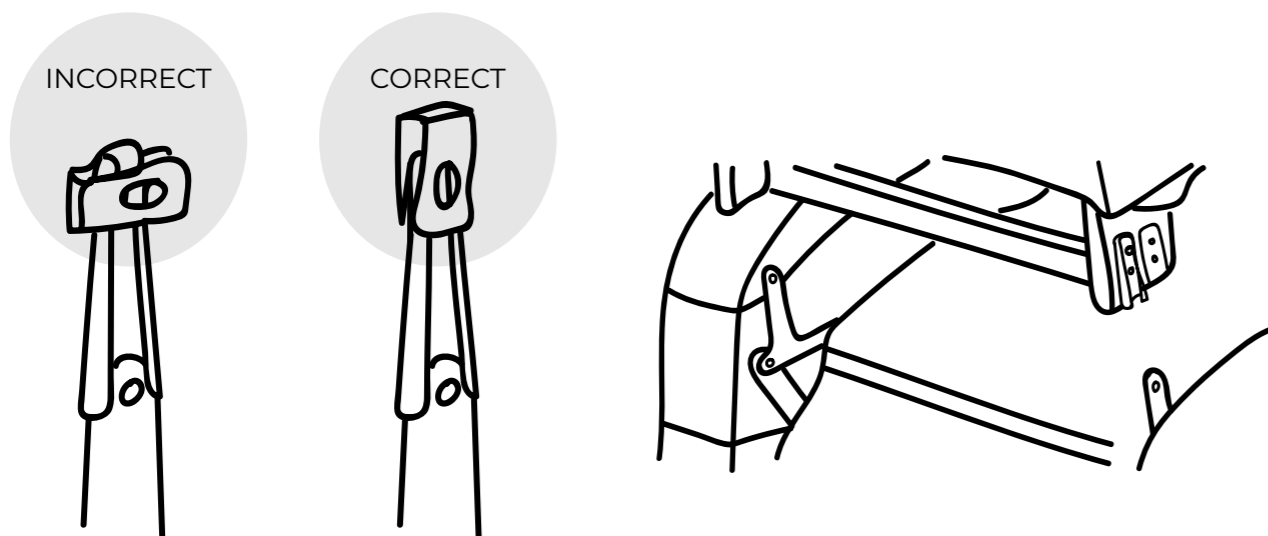
6.1 POSTUREFIT LIFT RECLINE CHAIR SETUP

Your PostureFit chair will arrive in the knock-down position.



6.2 BACKREST ASSEMBLY ONTO BASE FRAME

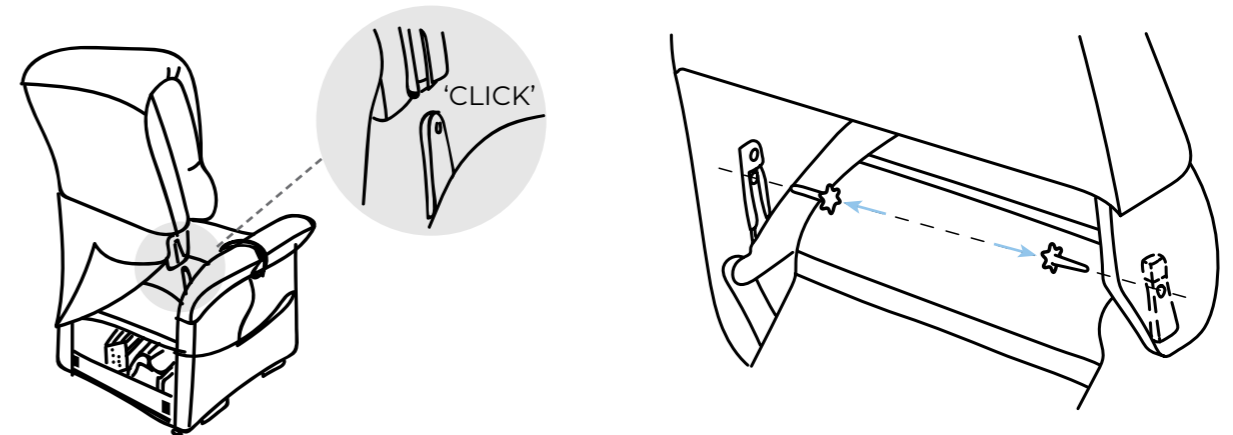
Follow these steps to assemble the PostureFit Lift Recline Chair:



Remove the packaging from the back portion of the chair and check that the locking clip is in the vertical position. Reposition if necessary.

Slide the left and right KD sleeves of the chair-back onto the KD connections on the arms and seat of the chair.

NOTE: Depending on chair width, you may need to slide on one side of the chair-back at a time. If this is the case, level the chair back before pressing down to lock into position.



Push firmly on the top of the chair-back to lock into position. Listen for a click on each side to ensure the chair-back is locked in properly.

2x handbolts (supplied) to be fastened once the backrest is locked in as shown



WARNING: DO NOT use the chair without the hand bolt installed on the backrest

6.3 POSTUREFIT LIFT RECLINE CHAIR PLACEMENT

Your PostureFit Lift Recline Chair should be placed near a standard electrical outlet on dry, level ground where there is ample room to allow for proper operation. It is recommended that you have the assistance of an attendant when positioning the PostureFit Lift Recline Chair to avoid the possibility of injury when lifting.

Follow these steps to position the PostureFit Lift Recline Chair in a safe manner:

- The back of the PostureFit Lift Recline Chair should be positioned with sufficient clearance to avoid any obstructions, particularly behind the chair after reclining. Suggested clearances by model are:
PostureFit Lift Recline Chair – 580mm
- Plug the power lead directly into the electrical outlet. Do not use an extension lead!

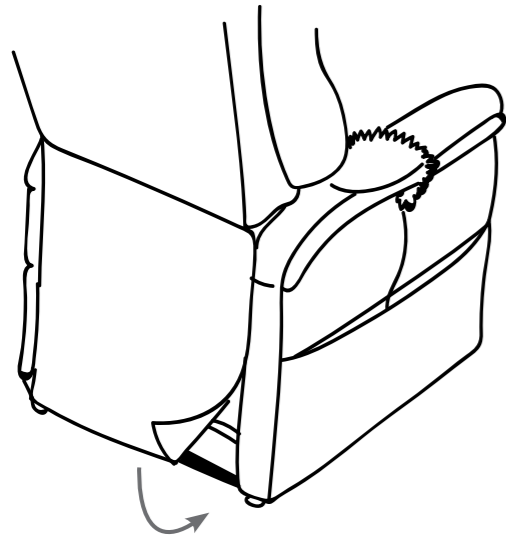
NOTE: If you discover a problem at any point during the set-up and positioning of your PostureFit Lift Recline Chair, stop and contact your authorised Aspire Dealer immediately. To avoid personal injury and/or product damage, do not plug the unit into the electrical outlet until the problem is corrected and do not attempt to fix electrical problems by yourself.

7. OPERATION

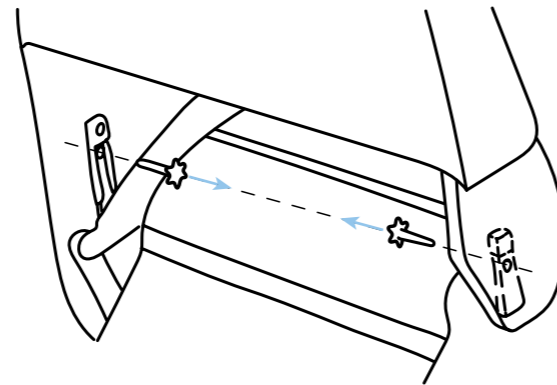
6.4 POSTUREFIT LIFT RECLINE CHAIR DISASSEMBLY

The back rest of Aspire PostureFit Lift Recline Chairs can be removed to make service and transport of the chair more convenient.

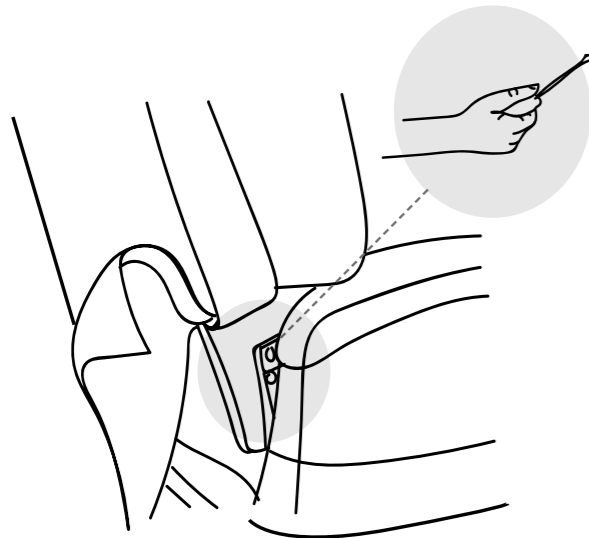
Follow these steps to disassemble the PostureFit Lift Recline Chair:



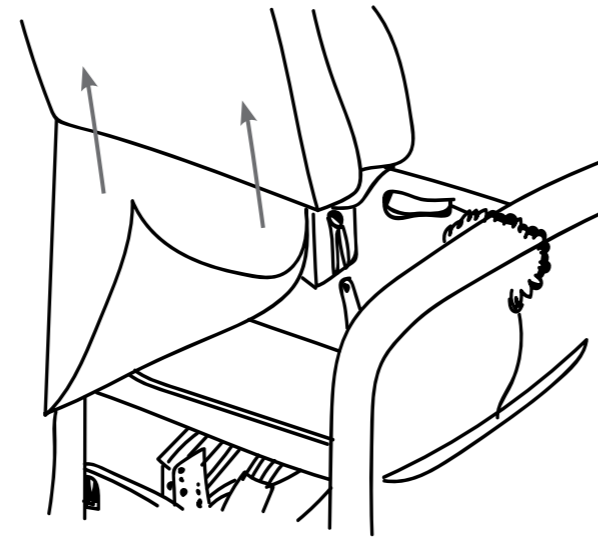
Remove the bottom of the back fabric from the hook and loop flaps.



Loosen and remove the hand bolt connecting the backrest and base brackets.



Using a large flat-head screwdriver, lift the left and right locking clips on the chair-back one side at a time to raise the back from the connections on the chair base. As you lift each locking clip, pull up on the chair-back to lift that side over the lock.



Lift the chair-back up and away from the chair base.

SAFE OPERATING PRECAUTIONS

There are certain precautions that should be taken during the operation of your PostureFit Lift Recline Chair. Read and follow these precautions carefully in order to ensure safe PostureFit Lift Recline Chair operation and to prevent injury and/or product damage.

- Plug the power lead directly into the electrical outlet. Do not use an extension lead!
- Do not place anything (e.g. a drinking glass) on top of or near the external transformer
- If the external transformer box or hand control requires cleaning, unplug the power lead from the electrical outlet and use a clean, dry cloth or lightly dampened cloth. Dry completely before plugging the power lead back into the electrical outlet
- Periodically check the hand control and all power leads for visible damage
- Keep the hand control away from all heated surfaces
- Ensure the hand control is out of the way before sitting in the chair
- Keep children and pets away from all moving parts while operating the PostureFit Lift Recline Chair
- Do not allow children to play on or operate the PostureFit Lift Recline Chair. Only the intended user should operate the PostureFit Lift Recline Chair
- Avoid pinch points, such as the lift and scissor mechanisms. Keep hands and feet clear of these areas
- Always leave the PostureFit Lift Recline Chair in an upright and closed position when not in use
- Do not sit or stand on the footrest
- Do not "drop" into the PostureFit Lift Recline Chair when sitting if it is in a partially raised position, this will damage the seating and void warranty



PROHIBITED! Do not place objects under the PostureFit Lift Recline Chair. Make sure area is clear of obstructions, including pets and small children during operation.

WARNING! Prevent the risk of electrical shock, fire, falls and/or being pinched. Follow all instructions and precautions provided.



WARNING! Prevent potential equipment damage! Do not place the external transformer under the PostureFit Lift Recline Chair.

WARNING

WARNING! Do not cover the external transformer. Keep the transformer in an open, well-ventilated area free from foreign material/debris to ensure proper operation.

HAND CONTROL OPERATION

Depending on PostureFit Lift Recline Chair model, the hand control may be equipped with switches that control the movement of the chair-back, chair base and footrest.



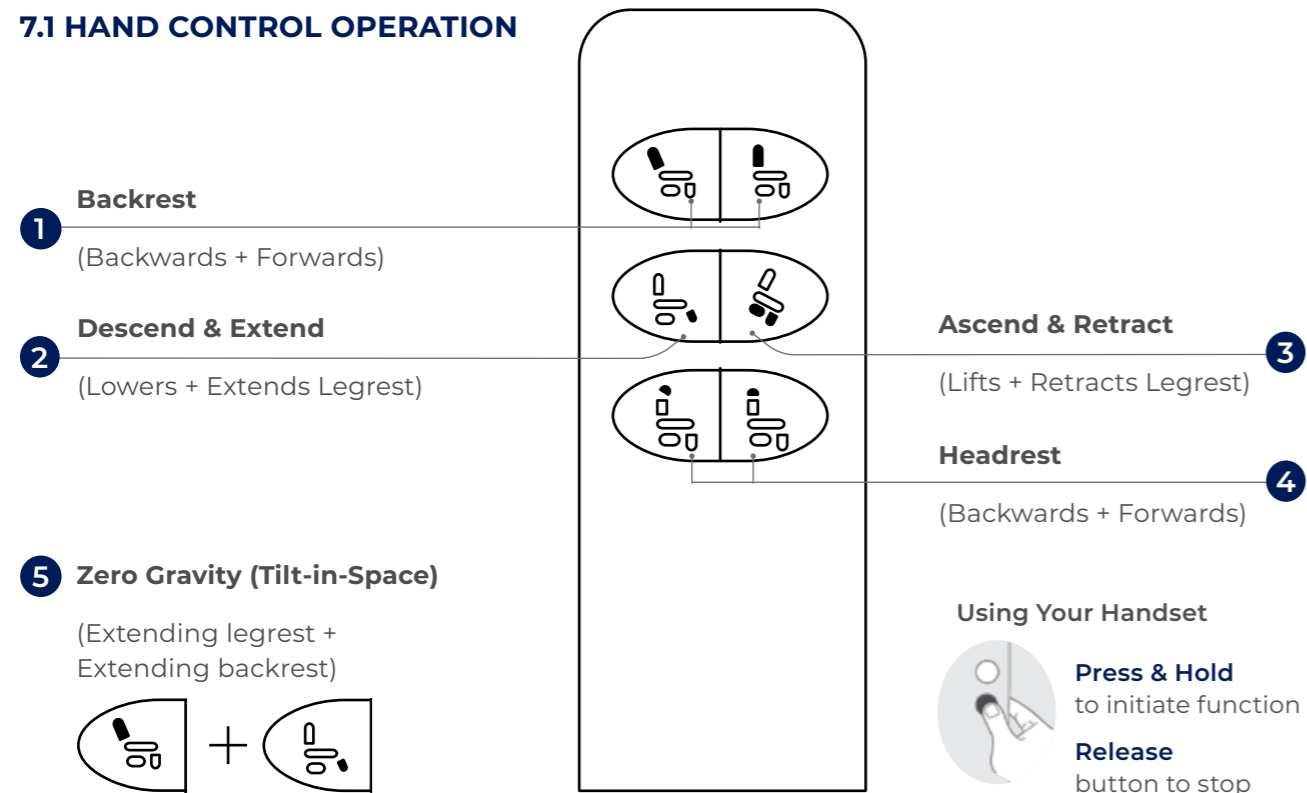
WARNING! Do not lean on or apply downward force to the chair-back when the PostureFit Lift Recline Chair is in fully reclined position. Doing so could cause the PostureFit Lift Recline Chair to tip, resulting in personal injury and/or product damage.

WARNING

WARNING! Do not use the footrest as a seat, or for purposes outside its intended use. Doing so could cause instability in the PostureFit Lift Recline Chair and place undue stress on PostureFit Lift Recline Chair components, resulting in personal injury and/or product damage.

WARNING! Be sure to lock or disconnect the hand control when the PostureFit Lift Recline Chair is not in use.

7.1 HAND CONTROL OPERATION



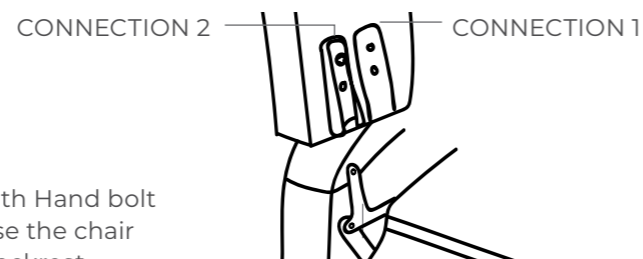
<p>1 Backrest Backrest: Adjusts the backrest to provide postural support whatever the activity.</p>	<p>4 Headrest Headrest: Adjusts the headrest to help alleviate neck muscle strain, providing optimal support while reading or watching TV.</p>
<p>2 Descend & Extend Descend (Stand-to-Sit): If situated in lift position, the chair will lower before extending the legrest. Extend: Extends legrest to maximise comfort and relaxation.</p>	<p>5 Zero gravity Press & Hold function 1&2</p>
<p>3 Ascend & Retract Ascend (Lift-to-Stand): Raises and tilts the chair forwards to assist users with standing. Retract: Retracts legrest to achieve a comfortable seated position.</p>	

7.2 SEAT DEPTH ADJUSTMENT

Reverse previous steps from 6.2, locate new connection and follow steps from 6.2 to relocate backrest.



WARNING: Please tighten the bracket with Hand bolt once the backrest is installed. DO NOT use the chair with out the hand bolt installed on the backrest.



7.3 SEAT WIDTH ADJUSTMENT

1. Disengage the quick release button
2. Lift the front part of the armrest up and slide forward
3. Repeat for both sides
4. Swap the armrest positions
5. Insert the armrests and engage the quick release button.



7.4 BACKREST CUSHION ADJUSTMENT

Aspire PostureFit Chairs come standard with a waterfall backrest but have two x other options (Advanced Immersion & Classic) to suit different user needs.

Backrests are held in place via velcro, to adjust or swap, pull the cushion away from the backrest to expose the velcro and adjust cushion position or insert a new backrest.



Waterfall (Standard)

Advanced Immersion

Classic

7.5 SEAT CUSHION ADJUSTMENT

Aspire PostureFit Chairs can accommodate after market seat cushions for clients with high pressure care requirements.

1. Disconnect the velcro between the seat and backrest, pull back overlay to expose the standard seat cushion.
2. Unzip cushion, replace inner foam cutout and insert cushion.
3. Zip up cushion, mount on seating support and re-affix overlay.



1. Pull the seat.

2. Unzip and replace the cushion with Self-supply Air Cushion if required.

3. Zip up cushion, mount on seating support and re-affix overlay.

CORRECT AND INCORRECT USE GUIDE

DOS AND DO NOTS

DOS

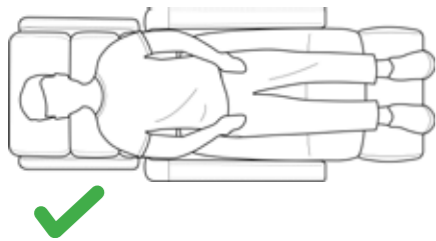
SITTING



DO sit upright and centrally aligned in the chair.



LAYING



DO lie centrally and flat on the users back.



DO NOTS



Misuse may injure the user, cause pressure and/or skin tear related issues, as well as damage the product.

SITTING



DO NOT sit skewed to one side of the chair.



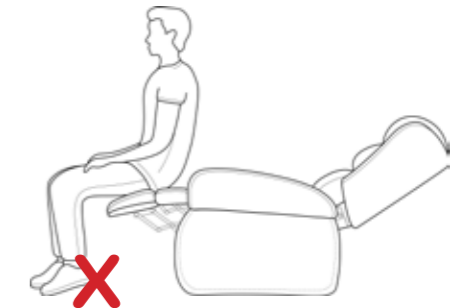
DO NOT sit on the armrest.



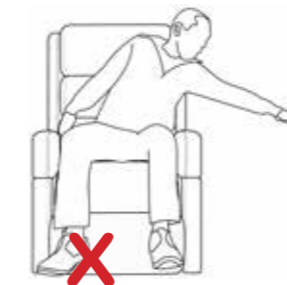
DO NOT distribute excess weight on the backrest.



DO NOT distribute excess weight on the armrest.



DO NOT sit on the footrest when extended.



DO NOT reach to the side.



DO NOT lean forward.

LAYING



DO NOT lie on the side.



DO NOT reposition whilst on side.



Chairs shown are for illustrative purposes only and may not be reflective of the specific chair model purchased.

8. ACCESSORIES AND CUSTOM OPTIONS

ACCESSORIES



Classic Backrest

CHP198290 (Small/Medium)
CHP198291 (Tall Medium/Large)



Advanced Immersion Backrest

CHP198295 (Small/Medium)
CHP198296 (Tall Medium/Large)



Profiled Headrest

CHP198310 (Small/Medium)
CHP198311 (Tall Medium/Large)



Channel Legrest

CHP198320



When fitted, the Channel leg rest can be securely placed inside the leg rest overlay. To Make them available please slide the overlay inward and fold the channel outward.



Lateral Support Blocks*

CHP198315

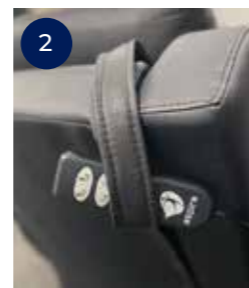
*Lateral support blocks can also be fitted inside the waterfall cushion with the zipper provided on the waterfall cushion



Attendant Hand Control Position

CHP198325

1. Remove the top backrest cushion, position the attendant hand control strap onto velcro and reattach cushion over the top.
2. The hand control strap will hang over the rear of the chair and allow for the handset to be positioned for attendant use only.



9. TROUBLESHOOTING

Your Aspire PostureFit Lift Recline Chair is a state-of-the-art product designed to enhance your mobility. Your PostureFit Lift Recline Chair should bring you years of trouble-free service, however, it may require occasional troubleshooting. The following troubleshooting tips and FAQs should summarise what you need to know about your PostureFit Lift Recline Chair. If at any time you do not feel comfortable performing the troubleshooting steps listed in this manual, contact your authorised Aspire Dealer for service. Please have the model number, serial number and nature of the problem when calling.

FREQUENTLY ASKED QUESTIONS (FAQS)

What if my PostureFit Lift Recline Chair does not operate at all?

Ensure the external transformer is plugged into a properly wired electrical outlet.

Check the circuit breaker box connected to the electrical outlet to ensure the outlet is receiving power.

Ensure the low voltage connection cable is plugged into the external transformer.

Ensure that all cables are connected properly.

Check all cables for signs of damage (cuts, flattened areas).

Check if the Transport wheel is disengaged, The chair will not operate if the transport wheel are engaged.

What if my PostureFit Lift Recline Chair operates in one direction only?

Check the up and down buttons or toggle switch on the hand control to make sure they do not stick. If the buttons or switch are sticking in either position, the hand control may need to be replaced.

Contact your authorised Aspire Dealer for further assistance.

What if my PostureFit Lift Recline Chair stops during a lifting cycle?

Your PostureFit Lift Recline Chair is equipped with an internal thermal shutoff switch located inside the external transformer that prevents the motor control box from overheating. If the thermal shutoff activates, allow the PostureFit Lift Recline Chair to remain in a stationary position for 10 minutes to allow the motor to cool, then resume normal operation. If you notice the motors overheating frequently, contact your authorised Aspire Dealer.

There may have been a power failure and/or there are no batteries in the external transformer or the batteries have no charge. Always make sure there are fresh 9V Lithium-Ion batteries in the external transformer if equipped with battery backup.

Check the circuit breaker box connected to the electrical outlet.

Where do I find the serial number on my PostureFit Lift Recline Chair?

It can be found on the Manufacturer's identification label on the base frame.

Who do I call for service?

Contact your authorised Aspire Dealer for service.



Scan for resources:
**Clinical Assistance Guide,
Assessment Form and Videos**

10. CARE AND MAINTENANCE

Your Aspire PostureFit Lift Recline Chair will require routine maintenance checks. You can perform some of these checks, but others may require assistance from an authorised Aspire Dealer. By following the maintenance checks in this section as scheduled, you can help ensure your PostureFit Lift Recline Chair gives you years of trouble-free operation. If you have any questions regarding your PostureFit Lift Recline Chair's care, contact your authorised Aspire Dealer.

FABRIC AND UPHOLSTERY CARE

Inspect the fabric on a regular basis for any pulls, tears or gaps.

Posturefit chair outer surface is upholstered with Vinyl on the outside and Dartex on the user surface. Cleaning with Damp cold soapy cloth and a clear cold water rise is recommended.

Dartex must NOT be cleaned with abrasive cleaning agents, hydrogen peroxide, Iodophors, phenolics, or ammonium compounds.

ASPIRE POSTUREFIT LIFT RECLINE CHAIR:

- **Pressure care (PostureFit Lift Recline Chair):**
 - Multi stretch pressure reducing patient surface
 - Dartex

(Refer to the "Warranty" section for more information).



WARNING

WARNING! Fabric should not be allowed to come in direct contact with any type of heat source (e.g. a space heater or cigarette). Personal injury or fire damage may occur.

WARNING! It is strongly recommended that you do not smoke cigarettes while seated in or using your PostureFit Lift Recline Chair, although the PostureFit Lift Recline Chair has passed the necessary testing requirements for cigarette smoking. You must adhere to the following safety guidelines if you decide to smoke cigarettes while seated in or using your PostureFit Lift Recline Chair.

- Do not leave lit cigarettes unattended.
- Keep ashtrays a safe distance from the PostureFit Lift Recline Chair.
- Always make sure cigarettes are completely extinguished before disposal.

PLEASE NOTE:

- Do not use solvent-type cleaners to spot clean.
- Do not saturate the fabric.
- Prevent damage to the fabric; do not expose the PostureFit Lift Recline Chair to direct sunlight.

ELECTRONICS CARE

- Inspect all wiring harnesses to make sure they are not damaged or frayed.
- If damage is present, unplug the PostureFit Lift Recline Chair and contact your authorised Aspire Dealer for service.
- Keep all electronics free from moisture and temperature extremes.
- **Aspire PostureFit Lift Recline Chairs are intended for indoor use only!**



WARNING

WARNING! Even though the PostureFit Lift Recline Chair has passed the necessary testing requirements for ingress of liquids, you should keep electrical connections away from sources of dampness, including direct exposure to water or bodily fluids and incontinence. Check electrical components frequently for signs of corrosion and replace as necessary.

WARNING! Plastic bags are a suffocation hazard. Dispose of plastic bags properly and **DO NOT** allow children to play with them.

11. WARRANTY

TWO-YEAR LIMITED WARRANTY

For two (2) years from the date of purchase, Aidacare will repair or replace at our option to the original purchaser any of the following parts found upon examination by an authorised representative of Aidacare to be defective in material and/or workmanship:

- Steel Frame
- Motor
- Hand Control
- Scissor Mechanisms
- Steel Lift Mechanism

IMPORTANT INFORMATION!

Improper and/or incorrect usage of the product will void product warranty. Please familiarise and refer to the "Correct and Incorrect Use Guide" located in the "Operation" section of the user manual for more details.

NOTE: Aidacare reserves the right to replace only the part of the steel lift mechanism that may be defective. Aidacare provides parts only under warranty. Your Aspire Dealer is responsible for labour and service. Please contact your Aspire Dealer for information about these services and for any applicable charges.

Aidacare will not warrant the safety and or correct functioning of products where any original components have been changed or modified by non-Aidacare approved and trained service and maintenance staff or external providers. Furthermore, safety is not guaranteed where components have been replaced with non-original Aidacare approved parts. If any faults are detected upon receipt of this product please phone Aidacare. Any faults that are detected during normal use should be reported to Aidacare immediately to determine if warranty conditions apply and if so, the necessary repair or replacement work to be completed.

Spare parts list is available upon request.

TWO-YEAR FABRIC WARRANTY

"Fabric and Upholstery Care" instructions specific to your Aspire Recliner are located in the "Care and Maintenance" section of this user manual. Failure to follow, protect and/or care for the upholstery/textile in the intended way (refer to "Care and Maintenance" section) will void product warranty.

Aidacare guarantees to replace any fabric that is found to be faulty as a result of manufacturing defect and which has been used in accordance with our manufacturer performance ratings and care instructions.

An evaluation of fabric related issues must be conducted before confirmation of warranty coverage can be verified.

12. COMPLIANCE

The PosureFit chairs are manufactured in ISO compliant production facilities in P.R China to strict quality control standards.

Aspire PostureFit are manufactured and independently tested to the market relevant compliance standards.

Labels on the chair address compliance requirements and users should familiarise themselves with these prior to use.

13. SERVICE MAINTENANCE & CUSTOMISATION

FOR ALL ENQUIRIES PLEASE CONTACT YOUR LOCAL AIDACARE BRANCH

SPARE PARTS

Aidacare stock replacement parts for the Aspire PostureFit range. All replacement of parts should be completed by Aidacare or authorised Aspire service technician. The term parts includes but is not limited to: Actuators, control box, handset, electronics, frame and upholstery.

A complete parts list is available upon request.

CUSTOMISATION AND MODIFICATION

All customisation, modifications and or alterations made to this product are considered as "custom" changes. These may cause the product to no longer meet safety standards and should be considered prior to commencement.

Any customisation or modification of the PostureFit chair is not warranted by Aidacare and will void warranty.

14. SPECIFICATIONS

ASPIRE RECLINER MODELS:	SEAT HEIGHT	SEAT DEPTH	SEAT WIDTH	SEAT TO TOP OF BACK	OVERALL HEIGHT	OVERALL DEPTH	OVERALL WIDTH	DISTANCE FROM WALL	SWL
CHP198250 CHP198250-UK PostureFit Lift Recline Chair (Small/Medium)	490mm 19"	475-525mm 19-20"	485-535mm 19"-21"	740mm 29"	1140mm 45"	900mm 35.5"	760-810mm 30"-32"	580mm 23"	160kg 25st
CHP198260 CHP198260-UK PostureFit Lift Recline Chair (Tall Medium/ Large)	490mm 19"	525-575mm 21-23"	535-585mm 21"-23"	790mm 31"	1180mm 46.5"	950mm 38"	820-870mm 32-34"	580mm 23"	160kg 25st

15. RECYCLING INFORMATION

Aspire PostureFit Lift Recline Chairs are fitted with electronic components and should not be mixed with general household waste. Old batteries and electronics are to be taken to your nearest recycling centre for recycling or contact your retailer.

16. MANUFACTURER, UK REPRESENTATIVE & IMPORTER DETAILS

If you have any questions, you can contact:



Manufacturer:

Aidacare Pty Ltd

ABN 40 134 833

Building 3A, 1 Moorebank Avenue,
Moorebank NSW 2170
Australia

1300 133 120 | product@aidacare.com.au



UK Representative:

European Device Solutions Ltd

15 Coanwood Drive, Whitley Bay
Tyne and Wear NE25 9GB
United Kingdom

info@europeandevicesolutions.co.uk



Importer:

Aidacare Ltd

Registration 13785408

Arcadia House, Maritime Walk, Ocean Village,
Southampton SO14 3TL
United Kingdom

01622 541235 | info@aidacare.co.uk

AIDACARE PTY LTD

Building 3A, 1 Moorebank Avenue,
Moorebank NSW 2170
Australia

1300 133 120 | aidacare.com.au

AIDACARE LIMITED

Arcadia House, Maritime Walk,
Ocean Village, Southampton SO14 3TL
United Kingdom

01622 541235 | aidacare.co.uk

MADE IN PRC

ASUM86.12 301023

Back to sleep
313-315 Whitehorse Road
Balwyn VIC 3103

Tel: 1300 848 077
w: backtosleep.com.au
e: info@backtosleep.com.au

