

*i*Active

by MLILY®



HILO 200s

USER & INSTALLATION MANUAL
MLILY Australia

Contents

Safety Instructions:	2
Parts List:	3
Control Box Overview	4
Installation HILO 200s	5
Wireless Remote Control Description	6
Wireless Remote Control Pairing with Control Box (troubleshooting)	7
Adjusting Pre-set Positions	8
Mobile Application	9

Safety Instructions:

For your safety, please read all instructions carefully before using this adjustable base. Save these instructions for future reference.

Attention:

To prevent the risk of electric shock, always unplug the base before cleaning. For your safety, ensure the base is in a flat position with all motors turned off, disconnected from the power source, and keep the power cord away from heated surfaces.

If the power cord or plug becomes damaged, or if the bed base is wet or not working properly, stop using the bed base and contact customer service.

This bed base is intended to be used only as described in this manual. Do not use any accessories/attachments that are not recommended by the manufacturer. Close supervision is required when the bed base is used by or near children, convalescents or disabled persons.

Electrical Safety:

Please ensure you connect the base properly to the power supply. Any incorrect power connection may cause electric Shock or Fire.

Always unplug this adjustable bed frame from the electrical outlet before any cleaning or maintenance of the bed frame. To safely disconnect, remove the plug from the outlet. Keep cord away from heated surface. Use only indoors.

Warranty Attention:

The control box, motors, and remote (except battery compartments) should not be opened or tampered with. Opening or tampering with these components without authorization will void the warranty.

Do not use this base with oxygen therapy equipment or near explosive gases.

Pacemaker Notice:

This bed base contains **no** edymium magnets which may interfere with magnetic fields of devices such as pacemakers, ICD'S etc. Some pacemakers may falsely interpret the optional massage vibrations as movement or exercise.

The owner of such medical devices should consult their physician before using this product.

Children & Pets:

This product is designed to be used by an adult. Do not allow children to operate this bed without adult supervision. Immediately dispose of all packing materials as they can pose a smothering risk to children and pets. Injury could occur if children or pets are permitted to play on or under the bed.

Product Rating:

The lift motors are not designed to operate continuously in a reasonable time frame. Unwarranted use will shorten the life expectancy of the product and may void the warranty.

Weight Limits:

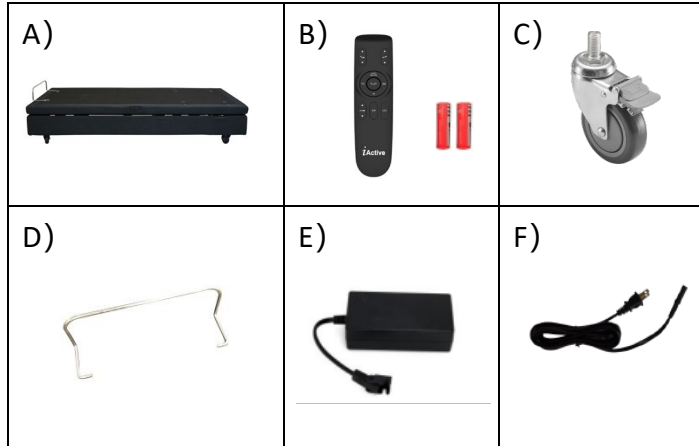
This product is not rated to support weight exceeding 250kgs including the mattress and bedding. The base will structurally support 250kgs provided it is evenly distributed across the bed base. The base is not designed to support or lift the full 250kgs on the head or foot sections alone. Exceeding this weight limit could damage the bed and will void the product warranty. Attempting to operated the lift base in excess of the weight limit may lead to injury.

Acoustics:

In normal base operation, the legs support of the base will create a contact noise with floor. When entering, exiting, or shifting weight on the base, this contact noise may be louder as the legs make contact. This is normal.

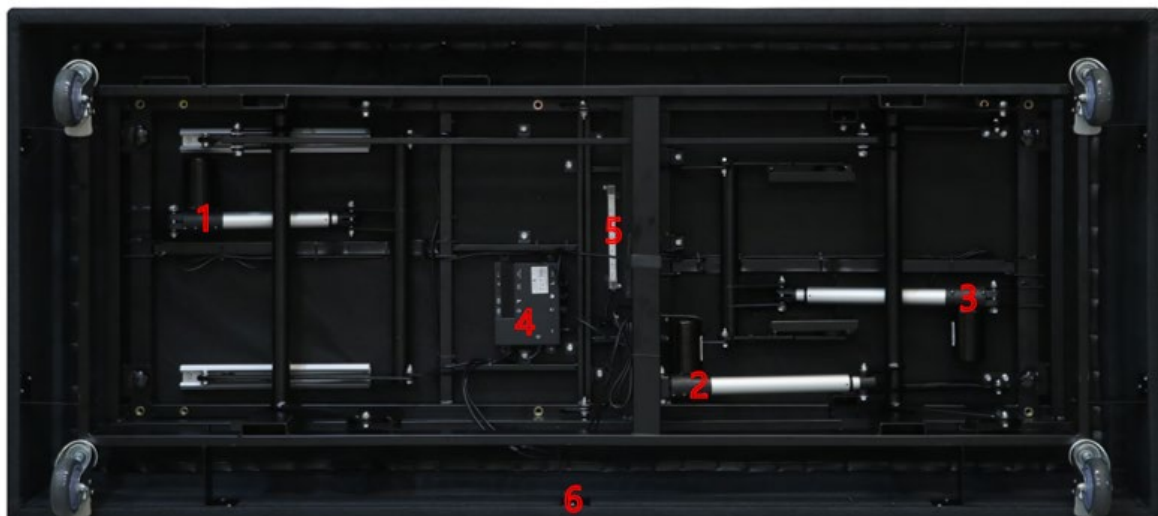
Parts List:

All product photos and pictures in this manual are for reference only, whichever is the actual product.

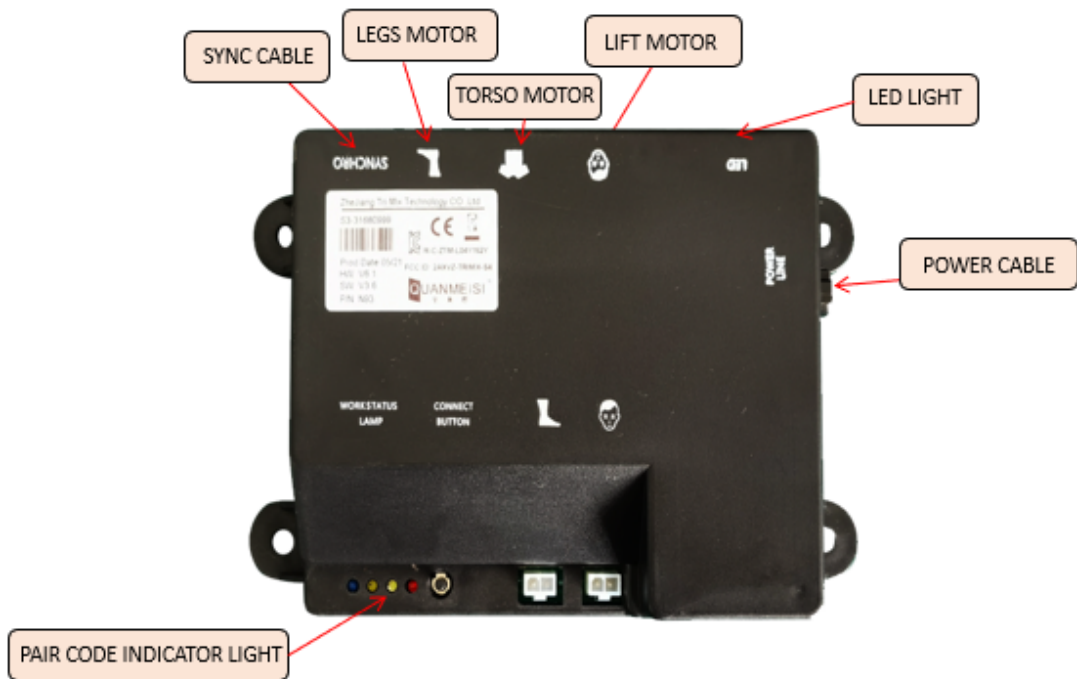


No.	Part Name	Qty.
A	Adjustable Bed	1
B	Wireless Remote Control (Batteries Supplied)	1
C	Medical Grade Castor Wheel	4
D	Mattress Retainer	1
E	Power Supply with Battery Backup (9v Battery not supplied)	1
F	Power Cord	1

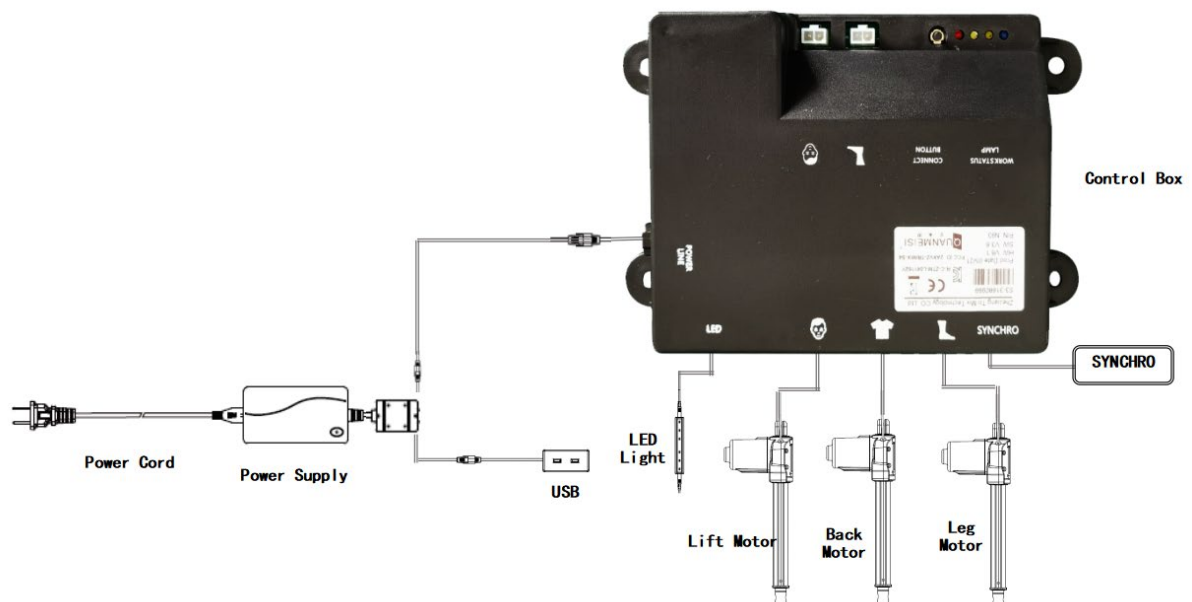
No.	Part Name	No.	Part Name
1	Torso Motor	2	Lift Motor
3	Leg Motor	4	Control Box
5	LED Light	6	USB



Control Box Overview



Electronics Overview



Installation HILO 200s

Step 1

Check integrity of the outer package, remove product from carton and plastic bag

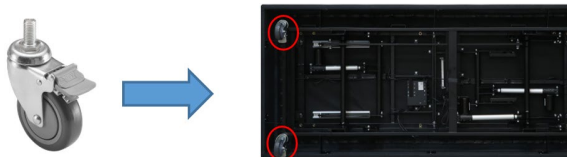
Step 2

Place the bed frame bottom side up as shown in the picture



Step 3

Install and secure the castor wheels (4pcs) on the bed frame respectively, and ensure that the castors are in locked position prior to turning over.



Step 4

Connect the power adapter and power cord ensuring they are plugged in tightly to the control box. Please check all other leads are secure as they may have moved during shipment.



Step 5

Overturn the frame so the bed is facing up



Step 6

Install the mattress retainer on the bed frame to secure the mattress.



Step 7

Connect power cord to power socket (240v), ensure switch is turned on.

Wireless Remote Control Description



Wireless Remote Control Pairing with Control Box (troubleshooting)

Step 1

Push in on the bottom of the remote to release the battery cartridge and install three AAA batteries into the remote battery compartment. Push firmly to close.

Step 2

Plug the base into a power source and press the Pairing Button on the control box until the Pairing Indicator Lamp is flashing (white third light).



Pairing-Indicator-Lamp-(white-third-light)

Step 3

Press "SWITCH" until the backlit LED light on the remote flashes. Then release "SWITCH" and press "HEAD UP". Don't release "HEAD UP" until the backlit LED light is lit, and the remote is paired.



Second, Press "HEAD UP". Don't release until the backlit LED light is lit, and the remote is paired.

First, Press the "SW" button on the remote until the backlit LED light flashes and then release.

Adjusting Pre-set Positions

The 'SW' button acts as a function button that works with Anti Snore, ZG (Zero Gravity), TV position, and Memory buttons.

Select a nominated pre-set position (Anti Snore, ZG (Zero Gravity), TV position, and Memory buttons) and adjust manually to personalized position by following the instructions below:

Once in your preferred adjusted position for the desired preset, hold the SW with the relevant preset (Anti Snore, ZG (Zero Gravity), TV position, and Memory buttons) for 3 seconds until the back light shining. Press the pre-set button (Anti Snore, ZG (Zero Gravity), TV position, and Memory buttons) to override the factory pre-set.



Mobile Application

This adjustable bed can be operated from an APP on your android or iOS device.

Search 'Motion Bed' in the APP, PLAY STORE or Google Play, and look for the following application



Once downloaded ensure your Phone's Bluetooth is turned on and open the App to search for available devices. Select the adjustable bed for pairing. After the connection is complete you can use this app to control the adjustable bed.

Turn on the Bluetooth and open the APP to see the main interface as shown.

Click the "Enter" and see the Bluetooth interface.

Click the "Scan Nearby Bluetooth Equipment" to find the adjustable bed. Click to connect the device and enter the App.

