

## 8.4 EXPANDABLE BED RAIL



### HOW TO FIT TO BED

#### EXPANDABLE BED RAIL

##### ACCESSORIES

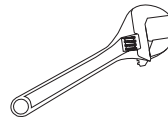
Extendable Bed Rail BEA830205

For further installation and operating instructions, refer to the **User Manual**.

#### TOOLS REQUIRED:

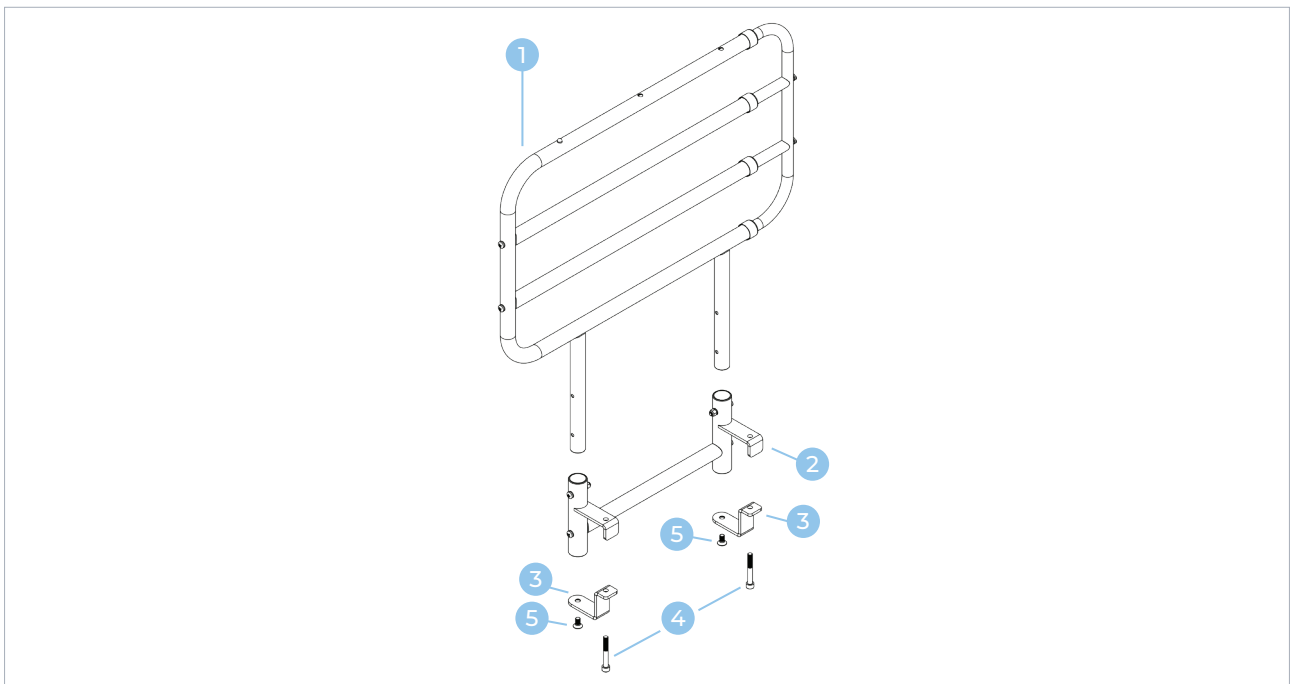


Allen Key (5mm)



Adjustable Shifter/Spanner

#### KIT CONTENTS



Item	Qty	Description
1	1	Expandable Rail
2	2	Mounting Bracket
3	2	Locking Bracket
4	2	Bolts (Long)
5	2	Bolts (Short)

- 1 Raise bed height, backrest and legrest to maximum height for ease of access.

To adjust:



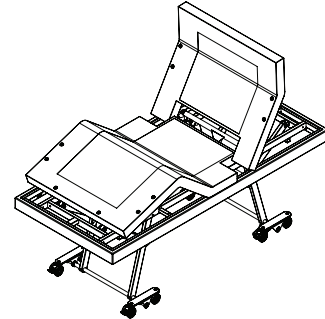
**HI-LO**  
Raise to Max



**BACKREST**  
Raise to Max

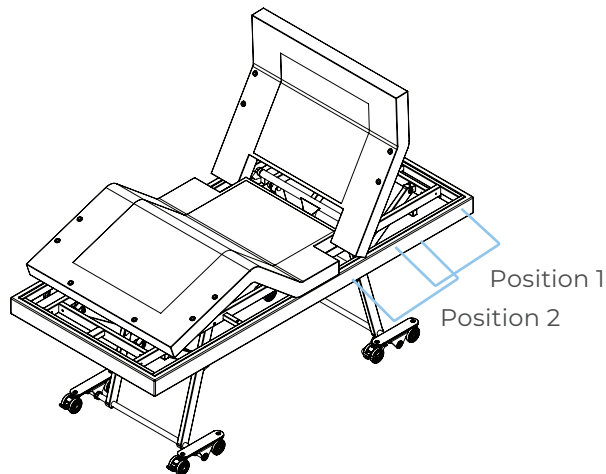


**LEGREST**  
Raise to Max

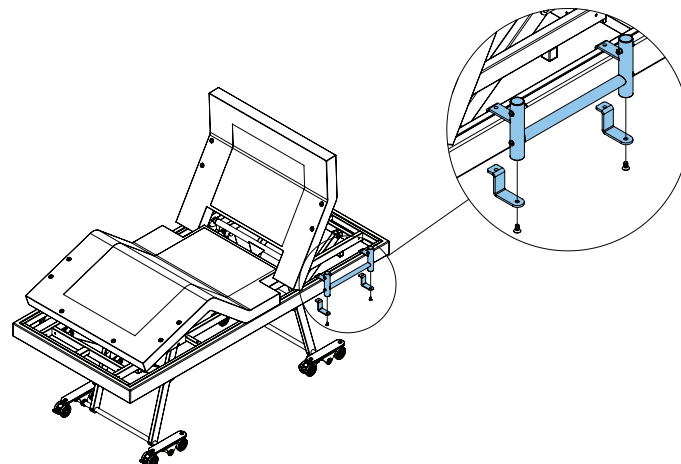


Bed once adjusted

- 2 Locate holes drilled under the backrest. For Long Single and King Single beds - The expanding rail can be mounted in one of two positions shown. For Long Double and Queen size beds - only position 1 is available.

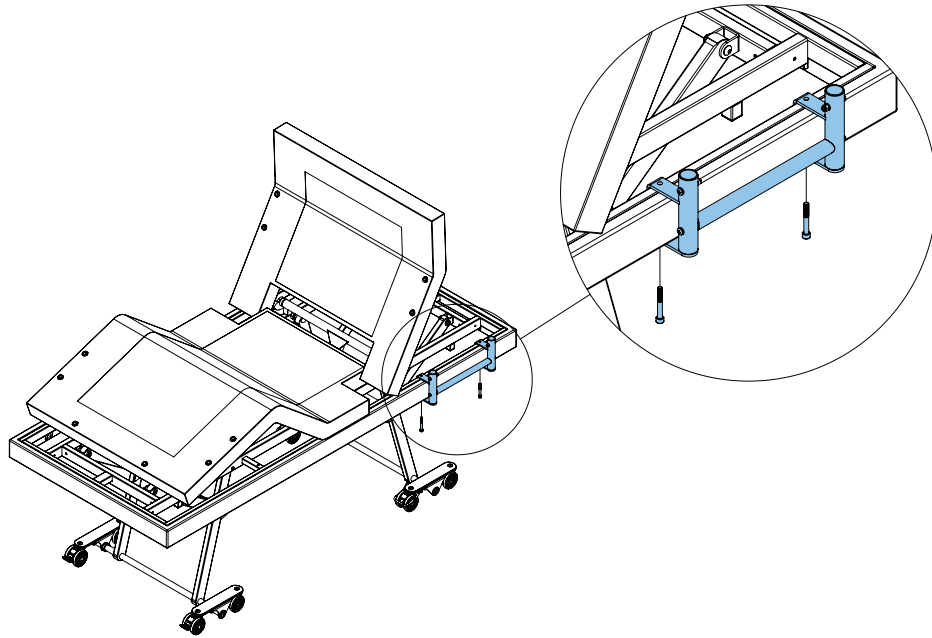


- 3 Position mounting bracket in desired position along outer frame and attach the locking brackets 3 to the underside of the rails using the short bolts 5. Do not fully tighten.



4

Thread the long bolts through the locking brackets 3 and the bed frame and thread through the top of the mounting bracket 2 to lock in place.

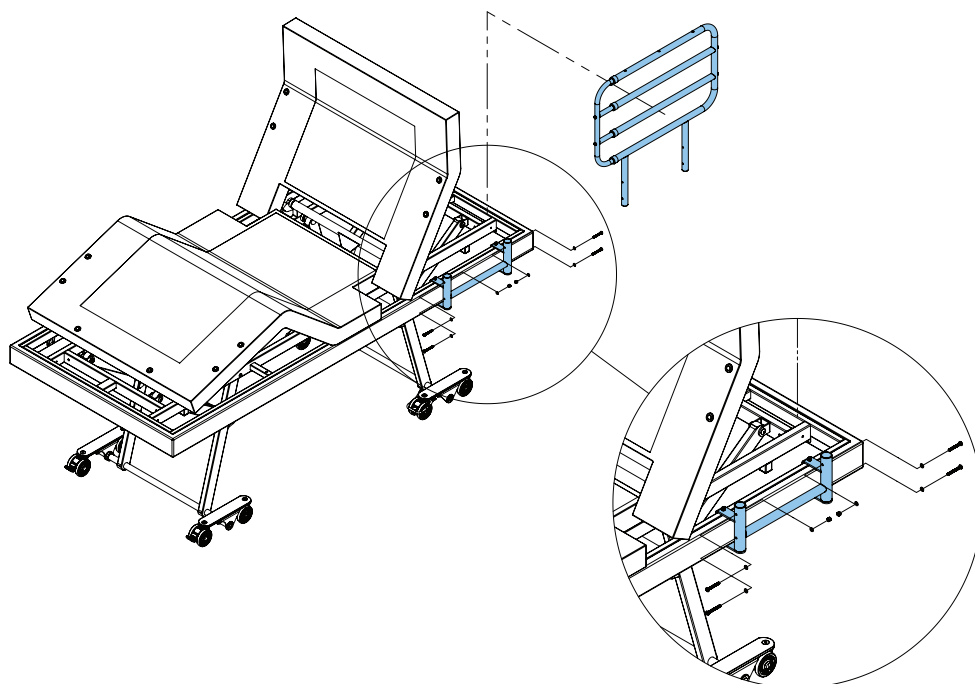


5

Tighten the short bolts and long bolts to fully lock in place

6

Mount the expandable rail 1 onto the mounting bracket, ensuring the expandable section of the rail faces towards the FOOT end of the bed and lock in place with the hardware supplied (hardware is mounted onto rail).



7

Assembly is now complete.

**To expand the rail:** press down the indicated button and pull the rail towards the foot end. Rail will lock in position

**To retract the rail:** press down the indicated button and push the rail towards the head end. Rail will lock in position

