



USER MANUAL

Configura[®] Comfort 1

Instructions for Use



Welcome

Dear Customer,

Thank you for buying an Enable Lifecare healthcare product. We are sure that this equipment will exceed your expectations.

Please read this manual carefully before using the chair and keep it in a safe place for future reference.

If you need further information, please contact us at:

Tel: 1300 370 370

E-mail: support@enablelifecare.com.au



1. General Safety

The Configura® Comfort 1 Chair is a Medical Device Class I product.



The batch number and date of manufacture of this product should be recorded.

Enable Lifecare is committed to deliver safe products to its customers and has a policy of continuous improvement.

You may see the following terms used in this document:



WARNING

This is a statement that alerts the user to the possibility of injury, death or other serious adverse reactions associated with the use or misuse of the product.



CAUTION

This is a statement that alerts the user to the possibility of a problem with the product associated with its use or misuse. Such problems include product malfunction, product failure, damage to the product or damage to other property.



GENERAL WARNINGS

- This is an electrical item and should be treated with caution.
- Always ensure that there is nothing to obstruct the free movement of the chair, for example: children or pets, or solid objects, e.g. a wall.
- This chair is not suitable for use by children. Any children in the vicinity must be supervised at all times.
- Take care when adjusting positions to avoid trapping or pinching of body parts, especially in the following areas: under the chair, under or in the leg rest mechanism, between the backrest and seat cushion and under the sides of the chair.
- Do not sit on footrest.
- Only the occupant or a responsible person should operate the chair.
- Exercise care when lowering into the chair as shock loads can severely damage the chair and the mechanism.

SPECIFIC WARNINGS

- Enable Lifecare shall not be held liable for any damage, injuries or accidents arising from negligence or use that is at variance with this manual.
- Follow the safety features and instructions for operating this product.
- Do not modify this product without the authorisation of the manufacturer.
- Do not use this product if faults have been detected on it that may injure the user, staff or a third person or damage the product or the surroundings.
- Before using this product ensure the user is familiar with its functionality.
- When repairing this product, use only original materials and components otherwise the manufacturer cannot guarantee against any damage that might occur.
- Only use authorised accessories with the chair.
- Only trained service personnel should perform maintenance on the chair.
- Carry out an assessment before seating a user on the chair.
- Do not allow children to play on or with the chair.
- Be aware of any potential fire hazards.
- The chair is intended for indoor use only.
- Do not move the chair if the power cable is connected to the wall.
- Never place the power cable under the chair.
- Do not cover the power supply transformer as it may get warm during use.
- Avoid spillage of liquids and water on the electrical system.
- Fully check the chair for functionality if the electrical system becomes wet.
- There is a risk of entrapment while cleaning the chair.
- Do not smoke when using or sitting in the chair.
- Do not fall or drop into the chair as this could severely damage the chair.
- Do not use the chair without the seat cushion.
- Do not use the chair with an electric blanket.



2. Introduction

These Instructions apply to the Enable Lifecare Configura® Comfort 1 Chair.

Before operating this chair, you must read and understand the instructions in this manual. The instructions are mandatory for the safe and effective use of the chair and the safety of the users and carers.

Any actions that are inconsistent with the manual are performed at your own risk and Enable Lifecare shall not be held liable for any injury or damage.

Please ensure that the manual is available to operators throughout the life of the Configura® Comfort 1 Chair.

It is recommended that the chair configuration is selected by a healthcare professional. The Configura® Comfort 1 Chair Assessment form can be used to help make an assessment.

The chair should be regularly checked by the carer / user to ensure the setup is correct and it is working as intended for the user.

Should you have any questions regarding the use of the product do not hesitate to contact Enable Lifecare customer service on 1300 370 370.



Caution, read the instructions before use



For indoor use only

3. Product Description

The Configura® Comfort 1 Chair is a configurable chair designed to provide comfortable seating to users with mild to moderate postural requirements and to help reduce the formation of pressure ulcers. The functions of the chair will help transfer a user in and out of the chair.

The illustration below shows some key features which will be referred to throughout this manual:

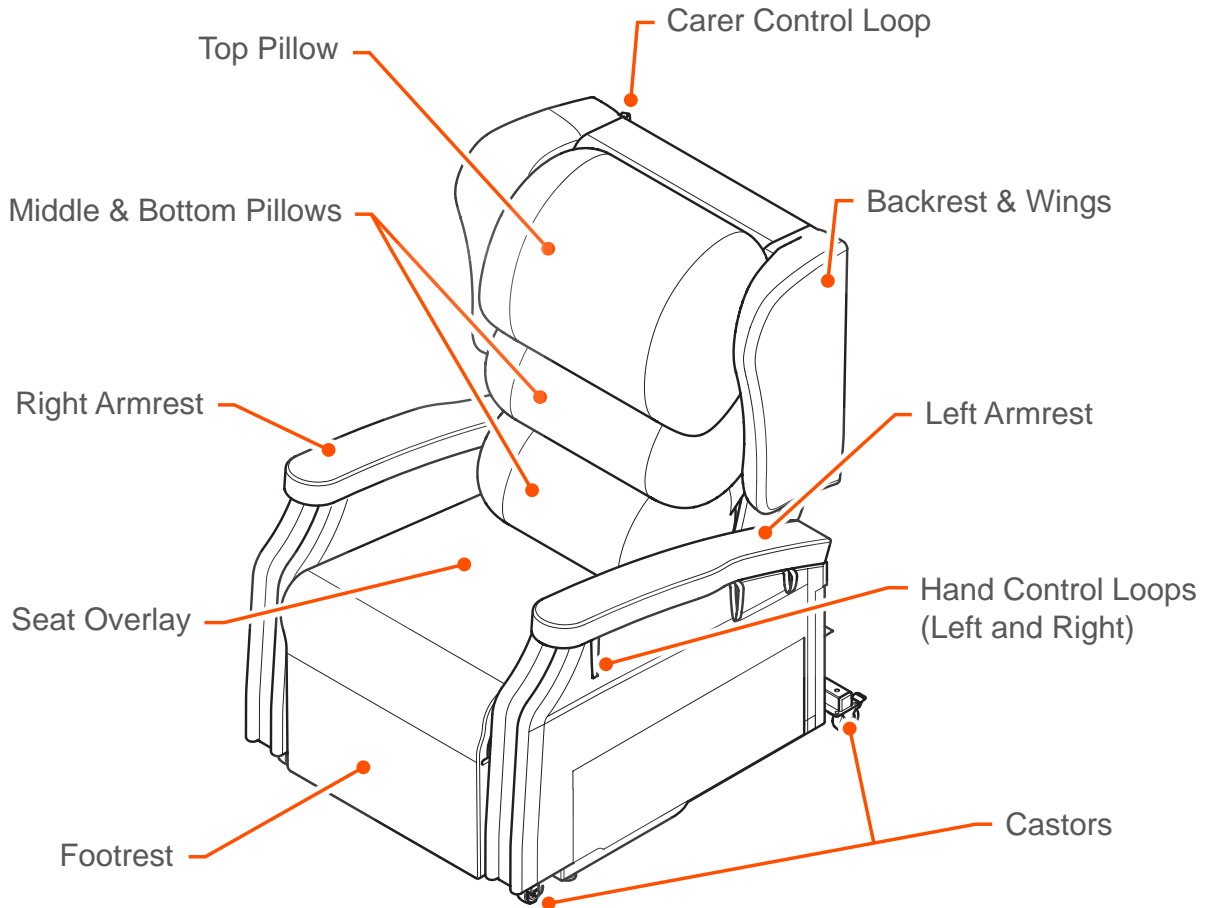


Figure 1 - Configura Comfort 1 Chair

The left and right armrests can be reversed to improve user comfort, see Reversing the Armrests on page 17 for further information.

The middle and bottom pillows can be repositioned to improve user comfort, see Operation on page 18 for further details.

The castors can be used to move the chair when in the standard seating position. The castors can be locked in position to stop the chair moving when in use.

The Seat Overlay comprises a standard seat foam cushion and a footrest cushion enclosed in a durable, 4-way stretch, vapour permeable cover. The seat cushion has a foam insert which can be replaced by any equivalent foam cushion or an air cushion.

The Hand Control can be used to change the position of the backrest, legrest, tilt in space angle and can also be used to raise the chair to assist the user in standing or sitting. The hand control loops and carer control loops can be used to store the hand control when not in use.

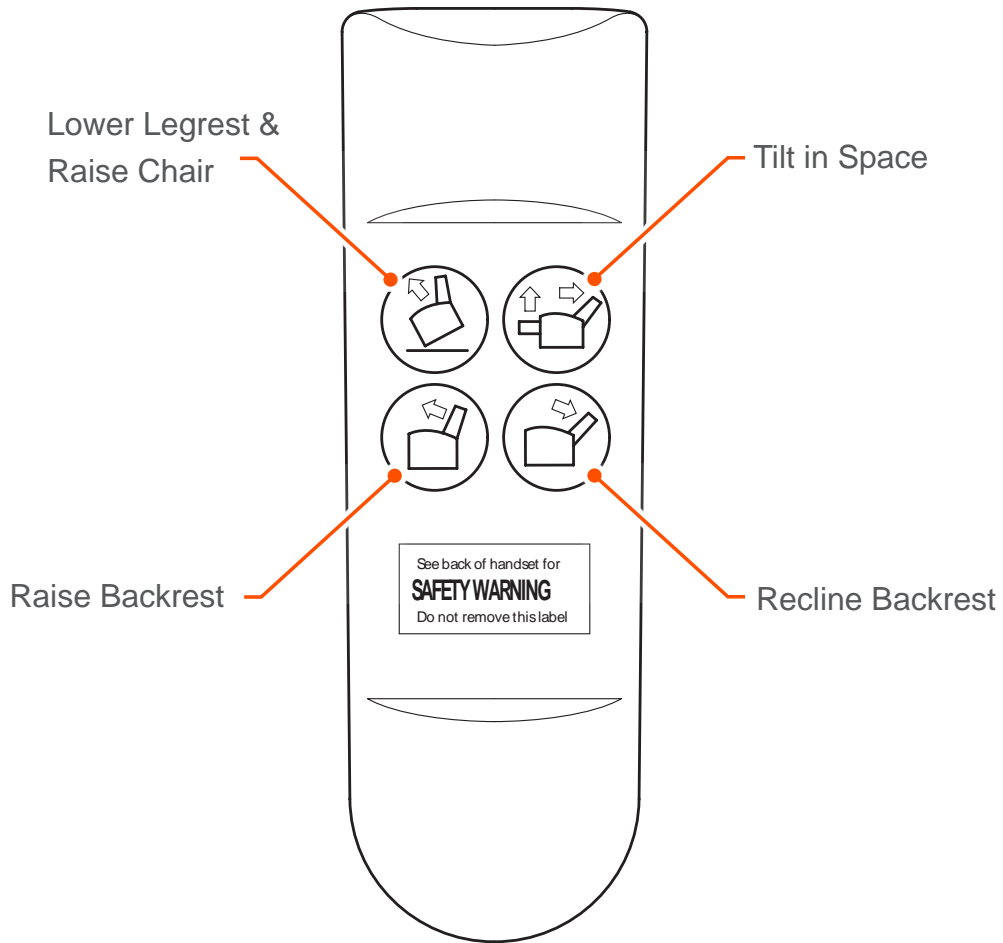


Figure 2 - Hand Control



4. Clinical Applications

Intended Use

The Configura® Comfort 1 Chair is suitable for use in the following areas:

- Long term medical care where medical supervision is required and monitoring is provided if necessary. e.g. nursing homes and geriatric facilities.
- A domestic area. i.e. home healthcare.

Indications (Appropriate for):

The Configura® Comfort 1 Chair is suitable for use in the following areas:

- Users up to a maximum weight of 160 kg (352lbs, 25 Stone).

Note: The maximum user weight of 160 kg is for chairs in the standard rise setting. For the maximum user weight of chairs in the medium and flat rise positions, refer to Adjustment of the Rise Position Angle on page 26.

- Users at risk of pressure damage.
- Users with current pressure damage (subject to professional assessment).
- Ambulant, semi-ambulant and non-ambulant users.
- Accommodation and encouragement of good posture.
- Users with neurological conditions.
- Users with a kyphosis.
- Users with oedema legs and / or fluid build-up.

Contra-Indications (Not appropriate for):

- Demanding postural requirements.
- Users with fixtures and contractures.
- Users with a limited extension at the knees.
- Users who need to be transported from room to room.
- Bariatric users.

Posture

Configura® Comfort 1 Chair has been designed to provide comfortable seating to: users at risk of pressure damage; ambulant, semi-ambulant and non-ambulant users; users with neurological conditions; users with a kyphosis; and users with oedematous legs and / or fluid build-up.

Size

The suitability and effectiveness of these features are dependent on correct chair set-up, which is mainly determined by three key elements.

- Seat depth
- Seat to floor height.
- Seat width.

The Configura® Comfort 1 Chair should be regularly checked to ensure the set-up is correct and that it is working as intended for the user.

5. Before Use



PLEASE ADHERE TO THE FOLLOWING WARNINGS

- Carry out an assessment before seating a user with specific postural requirements.
- Carry out an assessment before seating a user with pressure ulcers or at risk of developing pressure ulcers.
- Carry out an assessment before seating a user with behavioural conditions (e.g. Huntington's disease).
- Do not leave a semi-ambulant user unattended in the chair if it puts the user at risk.
- Never use the chair without an appropriate cushion and pillows in the correct position.
- Check the chair for adjustment for each new user.
- Check the chair for functionality before the first use and at regular intervals during use.
- Do not use the product if the sides of the chair become loose.
- Never place the power cable under the chair.
- Do not plug the power cable into an extension lead. Always plug directly into a mains socket.
- Do not position the chair on an uneven surface.
- Do not smoke when using or sitting in the chair.

6. Before Use Checks



WARNING

Always apply the castor brakes before seating a user in the chair.

Before use, always do the following:

1. Position the chair on a flat surface free from any obstruction. Always allow sufficient space behind and in front of the chair to allow the chair to be fully reclined (See figure 3). Do not allow the chair to touch the wall or other furniture when in use.

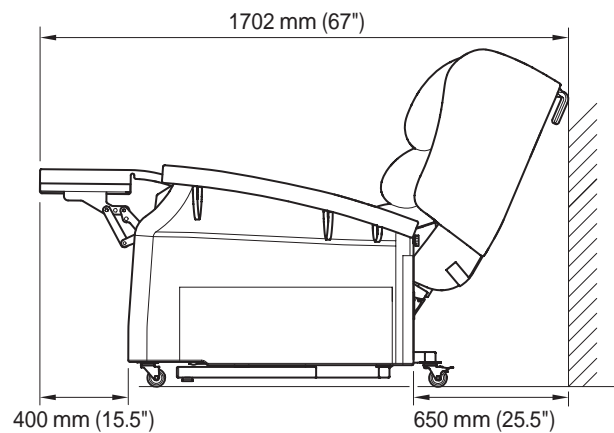


Figure 3 - Chair to wall / furniture measurement

2. Apply the castor brakes (See Page 18).
3. If the Battery Operated Reset System is to be used, install the batteries (see Battery Operated Reset System on page 27).
4. Plug the power cable into a power socket and switch the socket on.
5. Adjust the chair to an upright position (See 'Hand Controls' and 'Changing Chair Positions') on Pages 20 and 21 respectively.
6. Check that the backrest fully reclines and returns to the upright position without being obstructed.
7. Tilt the chair to its maximum and return to the riser position.
8. Adjust the chair again to the upright position.
9. Check that the upholstery is not damaged and is not showing signs of excessive wear.

The chair is ready for use if all the movements are smooth and no problems are detected.

7. Operation

WARNING

- Only trained carers and cognitive users should operate the chair.
- Do not operate the hand controller for more than 2 minutes continuously in any 20 minute period. Long periods of continuous hand controller use will damage the chair.

Using the Castor Brakes

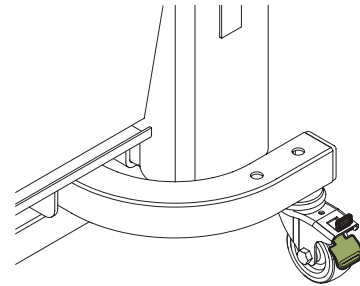
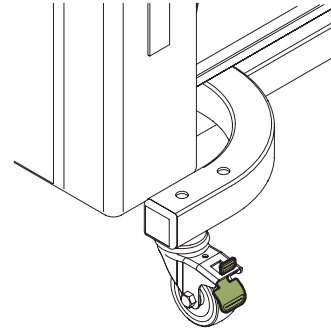
The chair has two brakes, one located on each rear castor. The brakes must be applied on both rear castors when the chair is ready to be used. The brakes can be activated by using a foot on the brake.

WARNING

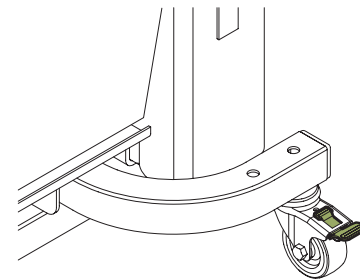
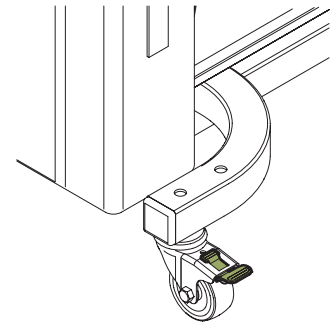
- Always wear sturdy shoes when activating the brakes.

To apply the brake on each castor, push down on the castor brake until it is in the ON position (See Fig 4).

To release the brake, push down on the top of the castor brake until the brake is in the OFF position (See Fig 4).



Castor Brake ON

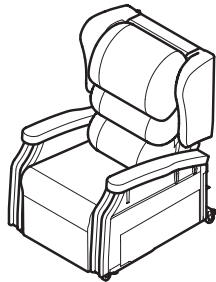


Castor Brake OFF

Figure 4 - Castor Brakes

Chair Positions

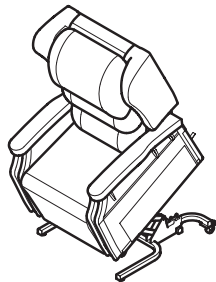
The Configura® Comfort 1 Chair can be set into the following positions:



Upright Position



Tilt in Space (TIS) Position



Raise Chair Position



Backrest UP Position







Backrest DOWN Position

Hand Controls

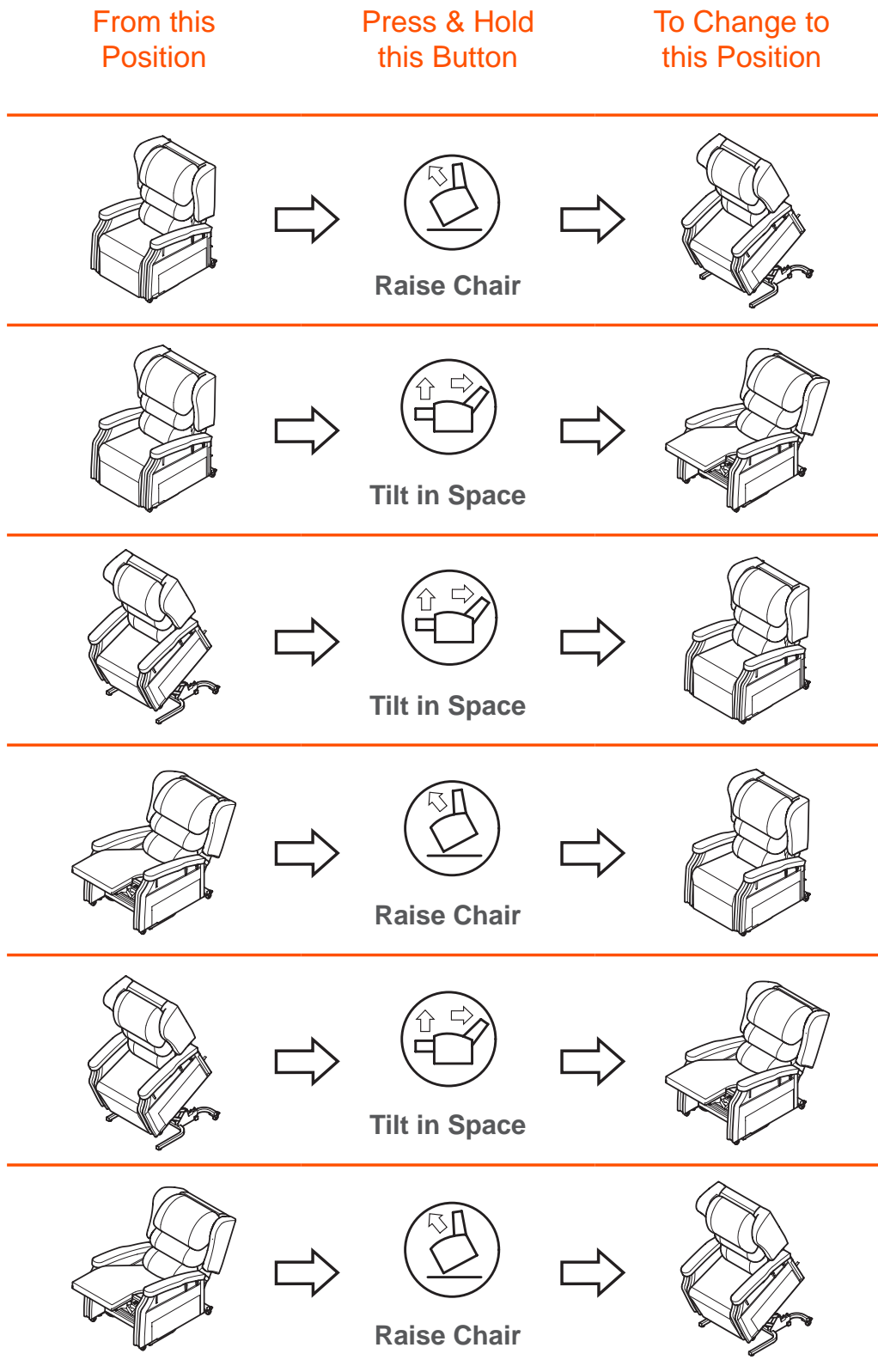
The chair is controlled by four buttons that are at the front of the hand control.

Always store the hand control in the pocket on the side of the chair or on the loops provided. This will ensure it does not suffer accidental damage.

| Button | Function | Description |
|---|--|--|
|  | Raise Chair (Standing / Sitting Assist) | <ol style="list-style-type: none">1. The chair will move from the upright position to the rise position by pressing the top left button.2. The chair will move from Tilt In Space (TIS) position to the upright position by pressing the top left button. |
|  | Tilt in Space (TIS) | <ol style="list-style-type: none">1. The chair will move from the upright position to TIS position by pressing the top right button.2. The chair will move from the rise position to the upright position by pressing the top right button. |
|  | Backrest UP | The backrest will return to the upright position by pressing the bottom left button. |
|  | Backrest DOWN | The backrest will recline by pressing the bottom right button. |



Changing Chair Positions

The following is a guide to changing the chair positions:



Changing the Angle of the Backrest

The angle of the backrest can be changed when the chair is in any position. To adjust the backrest angle:

| Button | Function | Description |
|---|-------------------------|--|
|  | Raise Backrest | Press and hold the bottom left button to raise the backrest to the upright position. |
|  | Recline Backrest | Press and hold the bottom right button to recline the backrest to the fully reclined position. |



8. Chair Adjustments

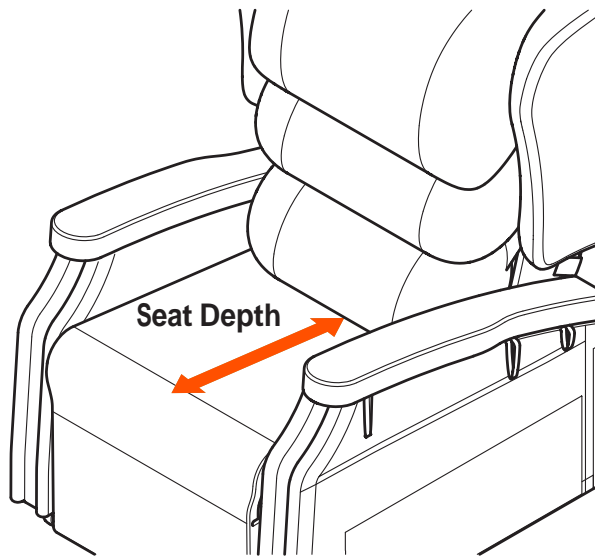
Backrest Position / Seat Depth Adjustment

The backrest depth can be adjusted to help make a user more comfortable.

The standard backrest depth can be adjusted to be either 457 mm (18") or 508 mm (20").

There is also an additional depth adjustment kit available to further decrease the depth of the seat by a further 51 mm (2") to a minimum of 406 mm (16").

Please Note: The backrest position and further adjustment kit must be adjusted / fitted by trained personnel only. Please contact your Occupational Therapist or Service personnel.



Standard =
457 mm (18") or 508 mm (20")

Backrest Depth Kit =
Minimum 406mm (16")

Figure 5 - Backrest Depth Dimensions

Chair Height Adjustment

The chair height can be increased by 51 mm (2") to make a user more comfortable using a height adjustment kit.

Notes:

- The chair height adjustment kit must be fitted by trained personnel only. Please contact your Occupational Therapist or Service personnel.
- When the height adjustment kit has been fitted, the castors are lifted away from the floor and cannot be used to move the chair.

Reversing the Armrests

The armrests can be reversed. The right armrest can be fixed on the left side of the chair and the left armrest can be fixed on the right side of the chair. This procedure reduces the inside distance between the armrests by approximately 40 mm (1.5”).

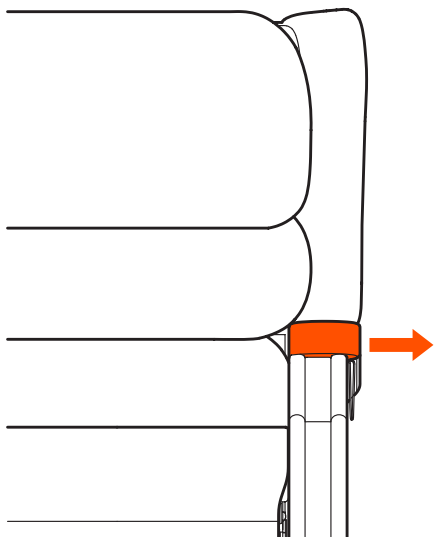


Figure 6 - Standard Position

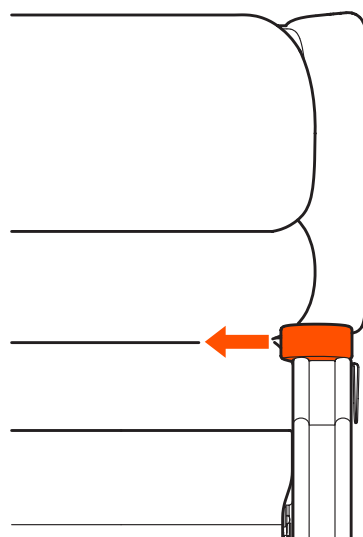


Figure 7 - Reversed Position

Please Note: Reversing the armrests must be carried out by trained personnel only. Please ask your Occupational Therapist or Service personnel.

Seat Overlay Options



WARNING

Make sure a replacement insert foam is the correct size to fit the overlay and has the correct support properties to give the user the correct support and pressure care.

The seat overlay has an integrated Visco foam insert which comes as standard.

The foam insert can be replaced by an equivalent foam insert which is 457 mm x 457 mm x 76 mm (18” x 18” x 3”).

Please Note: A replacement seat cushion insert must be fitted by trained personnel only. Please contact your Occupational Therapist or Service personnel

Fitting / Adjusting Backrest Pillows

There are three backrest pillows fitted to the chair using the hook and loop fasteners on the backrest. The middle and bottom pillows are the same size and can be interchanged. The top pillow is a different size and must always be used in the top position.

The middle and lower pillows can be re-arranged depending on the needs of the user. The pillows can be positioned vertically instead of horizontally as shown below:

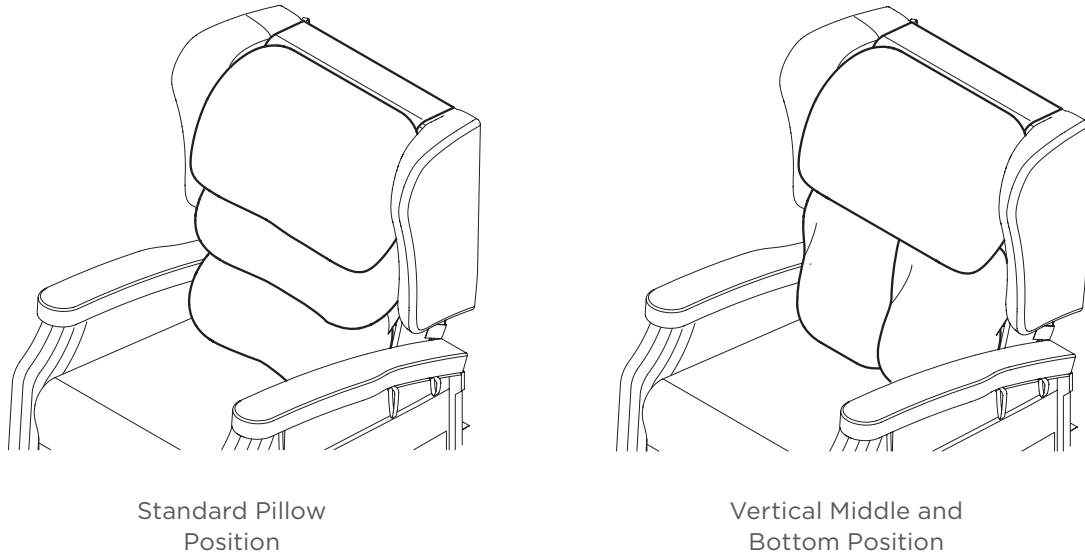


Figure 8 - Fitting / Adjusting Backrest Pillows

Pillow Filling Adjustment

The pillow filling quantity can be adjusted to improve user comfort. If a pillow needs to be adjusted, please contact your Occupational Therapist or Service personnel.

Using other Mobility Aids with the Chair

The Configura® Comfort 1 Chair has been designed to enable other mobility aids, such as transfer aids to be used with the chair. When using any other product with the chair a full risk assessment must be carried out and the instructions for use of the equipment must be adhered to.

Adjustment of the Rise Position Angle

The Standard Rise angle of the chair is 23°. This angle can be adjusted to a Medium Rise position which has an angle of 14° and a Flat Rise position which has an angle of only 2° (See Figure below).

Changing the Rise Position Angle of the chair will affect the maximum user weight for that chair. The maximum user weights will be affected as follows:

| Chair Size | Standard Rise (23°) | Medium Rise (14°) | Flat Rise (2°) |
|-----------------|---------------------|-------------------|----------------|
| SMALL | 160 kg | 110 kg | Not Available |
| MEDIUM LARGE | 160 kg | 135 kg | 110 kg |

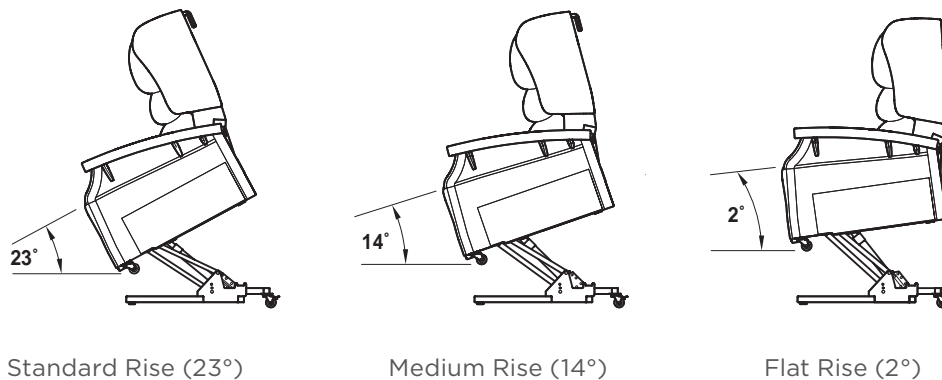


Figure 9 - Rise Position Angles

Please Note: The chair rise position angle can only be adjusted by trained personnel. Please contact your Occupational Therapist or Service personnel.

9. Battery Operated Reset System

The Configura® Comfort 1 Chair includes a Battery Operated Reset System. This system is for emergency use only and will enable the operator to return the chair to the normal upright position in the event of a mains power failure.

WARNING

- The battery system will only return the chair to the upright position. It will not raise the chair.
- Only use Alkaline 9V batteries. Other types of 9V battery may not operate the reset system. Enable Lifecare recommends that the batteries are replaced regularly.
- Do not use the chair in general use using the batteries. They are designed for emergency use only.

To use the Battery Operated Reset System, two 9V Alkaline batteries must be installed into the battery compartment of the Transformer.

To install the batteries into the Transformer:

1. Unplug the mains cable from the power socket.
2. Turn the Transformer over and slide the battery compartment lid open.
3. Install 2 x 9V Alkaline batteries into the compartment.
4. Slide the battery compartment lid closed.
5. Turn the Transformer back over so that the DC power light faces upwards.
6. Plug the mains cable back into the power socket and switch the socket on.

The Battery Operated Reset System is now ready to be used when needed.

10. Accessories

The Configura® Comfort 1 Chair has the following accessories available. Please contact your Occupational Therapist or Service personnel for more information.

Depth Adjustment Kit

The depth adjustment kit is an accessory designed to decrease the depth of the chair by 2" (51 mm). The chair depth adjustment kit must only be fitted by trained personnel. Please contact your Occupational Therapist or Service personnel.

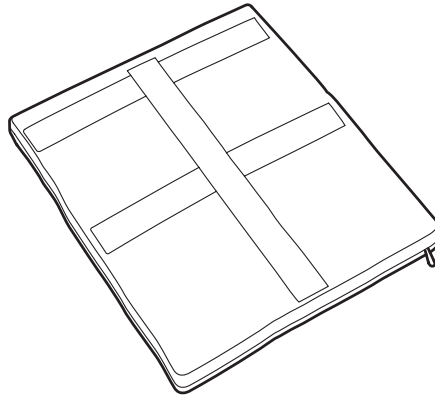


Figure 10 - Depth Adjustment Kit

Height Adjustment Kit

The height adjustment kit is an accessory designed to increase the height of the chair by 2" (51 mm). The chair height adjustment kit must only be fitted by trained personnel. Please contact your Occupational Therapist or Service personnel.

Note: When the height adjustment kit has been fitted, the castors are lifted away from the floor and cannot be used to move the chair.

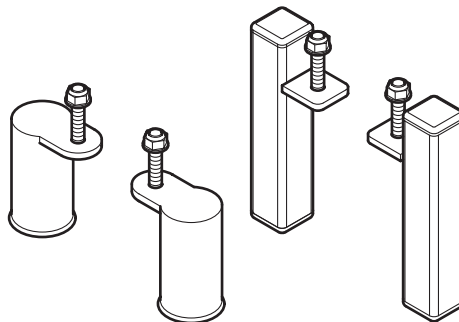


Figure 11 - Height Adjustment Kit

Lateral Supports

The Lateral Supports are an accessory to be used underneath the standard backrest pillows and provide a moderate postural support for the user. The Lateral Supports must only be fitted by the Occupational Therapist or Service personnel.

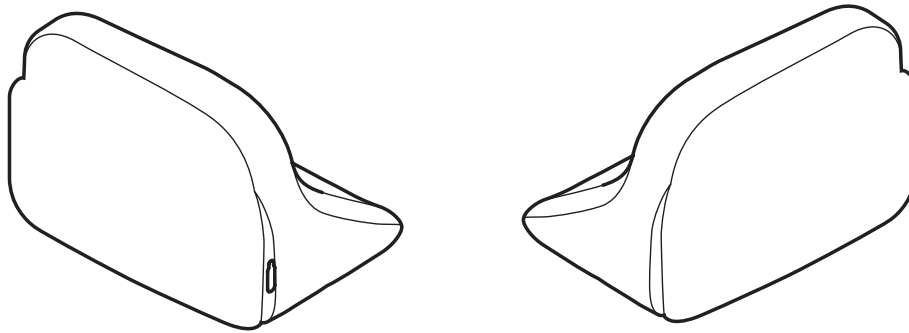


Figure 12 - Lateral Supports

Lateral Support Backrest

The Lateral Support Backrest is an accessory designed to replace the middle and bottom pillows and encourages a good midline sitting position for users who need extra support. Figure 16 shows this fitted to a chair and used together with the Profiled Headrest. The Profiled Headrest must only be fitted by the Occupational Therapist or Service personnel.

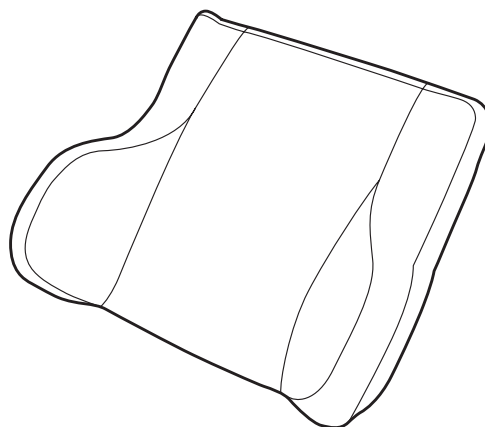


Figure 13 - Lateral Support Backrest

Adjustable Lateral Support Backrest

The Adjustable Lateral Support Backrest is an accessory designed to replace the middle and bottom pillows and gives more lateral support together with mild positioning and correction capabilities. Figure 16 shows this fitted to a chair and used together with the Profiled Headrest. The Adjustable Lateral Support Backrest must only be fitted by the Occupational Therapist or Service personnel.

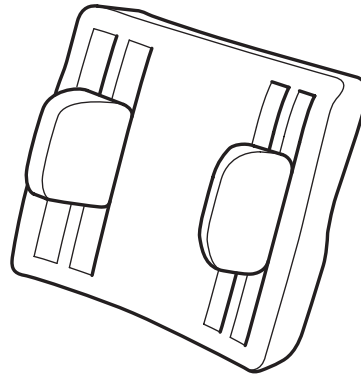


Figure 14 - Adjustable Lateral Support Backrest

Profiled Headrest

The Profiled Headrest is an accessory which can replace the standard top pillow when using the Lateral Support Backrest or the Adjustable Lateral Support Backrest.

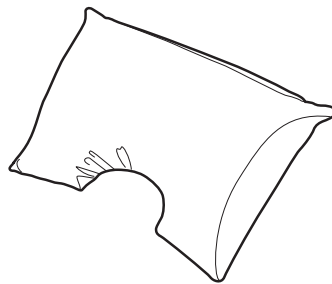
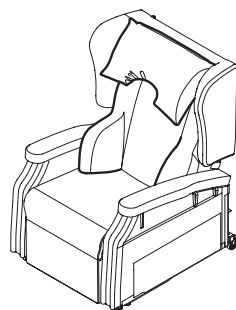
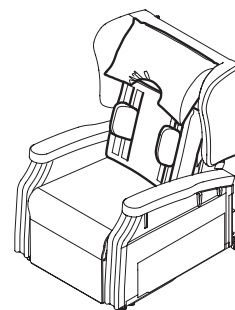


Figure 15 - Profiled Headrest



Used with Lateral Support Backrest



Used with Adjustable Lateral Support Backrest

Figure 16 - Profiled Headrest Examples

11. Product Care

WARNING

- Maintenance on the chair must only be performed by competent persons.
- Do not use the chair if the user or carer is aware that any parts of the chair are corroded. Contact Enable Lifecare Customer Service.
- If you notice the user is not comfortable with the product, take it out of service and contact Enable Lifecare Customer Service.
- Do not use the chair if the upholstery shows any signs of damage or excessive wear. Contact Enable Lifecare Customer Service.
- Do not use the chair if it shows signs of incorrect performance. Contact Enable Lifecare Customer Service.

General Maintenance

We recommend to the chair is checked on a weekly basis.

Place the chair on a flat surface and apply the castor brakes. Plug in the power cable and adjust the chair to an upright position. Check that the backrest fully reclines and returns to the upright position. Tilt the chair to its maximum, and return to the riser position. Adjust the chair again to the upright position. The chair is ready for use if all the movements are smooth and no abnormalities are detected.

Check that the power cables and the handset cable are in good condition.

Check castors regularly for build-up of fluff and dirt particles.

Should you have any question regarding the maintenance of the product do not hesitate to contact Enable Lifecare Customer Service.

Daily Maintenance

Before each use, check the chair for signs of damage, excessive wear or incorrect performance.

Clean and care for the fabric on a regular basis and it will maintain its condition and appearance.

12. Decontamination



- A chair can be a source of infection and we recommend that you clean it regularly.
- Before cleaning the chair unplug the mains cable from the socket.
- Avoid spillage of liquids while cleaning the product.
- Fully check the functionality of the chair after it has been cleaned.

General Maintenance

When cleaning the chair, use protective clothing such as gloves and aprons. Infection could be transmitted from user to user if the chair is reused, or from user to carer or cleaner.

After the chair has been cleaned, fully check for functionality. Place the chair on a flat surface and apply the castor brakes. Plug in the mains cable and adjust the chair to an upright position. Check that the backrest fully reclines and returns to the upright position. Tilt the chair to its maximum, and return to the riser position. Adjust the chair again to the upright position. The chair is ready for use if all the movements are smooth and no abnormalities are detected.

Metal Frame

Remove the dust with a dry cloth. For deeper cleaning, use a damp cloth with, if necessary, a soapy water solution and wipe clean. Avoid spillage of liquids on the electrical system of the chair.

Disinfection

As stated above, for extreme soiling control use a 5% Sodium Hypochlorite (Bleach) solution.

Fabric and Covers

Clean and care for the fabric on a regular basis and it will maintain its condition and appearance.

The new generation of Microfibre cleaning cloths without soap are extremely effective for general care and maintenance. You can also wipe clean regularly with a damp cloth to remove dust particles and light soiling. It is recommended to vacuum the upholstery once a week.

Most stains can be removed by wiping clean. Remove spillages promptly (within 15 minutes) with cold water. For extreme soiling control use a 5% Sodium Hypochlorite (Bleach) solution.

Do not machine wash or dry clean.

Do not apply other chemicals such as polish, solvents or stain remover.

13. Storage and Transport

Storage

Do not store or use the chair in damp or wet areas. Do not position the chair near or against sources of direct heat or naked flames. Cover materials may fade or degrade if subjected to excessive heat or sunlight.

Transporting the chair

The backrest, side pieces and overlay cushion can be easily removed without tools. This is a good opportunity to access all the areas of the chair where debris can accumulate. For details on how to dismantle the chair consult the Service Manual.

Disassembly Information

The chair can be disassembled (e.g. for transportation). The chair must be disassembled / assembled only by trained service personnel.

14. Product Disposal

Disposal of this product should be in accordance with local regulations.

The steel frame and the cardboard packaging can be recycled. The actuators, transformer, handset and cables are electrical equipment and should be collected separately and disposed of in an environmentally correct manner. The upholstery parts cannot practicably be recycled.

15. Troubleshooting



- If you notice that the chair is not fully operating contact Enable Lifecare Customer Service on 1300 370 370.
- Only use the transformer supplied with the chair or a replacement supplied by Enable Lifecare.
- Always disconnect the chair from the power supply before checking any part of the chair.
- Do not use the product if any of the power cables are damaged.
- Avoid moving the chair whilst a person is sitting on it.

The following table gives possible problems that may occur when using the Configura® Comfort 1 Chair and possible solutions to the problem. After troubleshooting, if the chair shows signs of incorrect performance do not use the product and contact Enable Lifecare Customer Service:

| Symptom | Possible Cause(s) | Action(s) |
|--|--|---|
| Chair does not function when using the hand control | Chair power cord not plugged into mains socket | Plug the chair power cord into a mains socket and switch on |
| | Power socket plugged in but socket not switched on | Switch the power socket on |
| | Power cable and / or chair cable not plugged in to the transformer | Plug the power cable and the chair cable into the transformer |
| | Power socket not functional | Check another appliance using the power socket |
| | Hand Control not plugged in | Contact Enable Lifecare Customer Service |
| Chair does not fully recline | Chair too close to wall or furniture | Move chair away from any wall or furniture which is impeding the chair movement. Check for any damage to the chair, wall and / or furniture |
| Chair does not fully go down to the upright position | Chair too close to wall or furniture | Move the chair away from any wall or furniture which is impeding the chair movement |
| | | Check no objects are under the chair stopping the movement |
| The user is uncomfortable in the chair | Chair position not suitable for user | Change chair to a comfortable position |
| | Pillows not adjusted for comfort | Adjust pillows to make the user comfortable |
| | Configuration of chair incorrect for user | Contact Occupational Therapist to discuss accessory options |

16. Technical Specification

Model Numbers

| Model Number | Description |
|-----------------|------------------------------------|
| CHAIR-0-CM1-140 | Configura Comfort 1 Chair - Small |
| CHAIR-0-CM1-240 | Configura Comfort 1 Chair - Medium |
| CHAIR-0-CM1-340 | Configura Comfort 1 Chair - Large |

Accessories

The table below shows the accessories that complement the Configura® Comfort 1 Chair range. All accessories must be fitted by trained occupational therapists or trained service personnel.

| Accessory Description | Chair Size | Part Number |
|-------------------------------------|------------|-----------------|
| Lateral Support Backrest | Small | BRLSB-0-CM1-120 |
| | Medium | BRLSB-0-CM1-220 |
| | Large | BRLSB-0-CM1-320 |
| Adjustable Lateral Support Backrest | Small | BRMAL-0-CF1-100 |
| | Medium | BRMAL-0-CF1-200 |
| | Large | BRMAL-0-CF1-300 |
| Lateral Supports (2 off) | All sizes | MALLS-0-CF1-000 |
| Profiled Headrest | All sizes | HRPF-0-CM1-120 |
| Height Adjustment Kit | All sizes | KITHA-0-CM1-100 |
| Depth Adjustment Kit | All sizes | KITDA-0-CF1-000 |

Spare Parts

The following table shows the spare parts that can be purchased as replacement parts for the Configura® Comfort 1 Chair. All spare parts must be replaced by trained service personnel. For more details, see Service Manual.

| Spare Part Description | Chair Size | Part Number |
|-----------------------------|---------------|------------------|
| Armrest Set | All sizes | KITARM-0-CM1-120 |
| Backrest Actuator | All sizes | ACTBR-0-CM1-100 |
| Backrest Kit | Small | KITBR-0-CM1-140 |
| | Medium | KITBR-0-CM1-240 |
| | Large | KITBR-0-CM1-340 |
| Backrest Pillow Set | All sizes | KITMAP-0-CM1-120 |
| Dual Motor Handset | All sizes | HNDST-0-CM1-200 |
| Fixing Kit | All sizes | FIX-0-CM1-100 |
| Lift Actuator | All sizes | ACTMN-0-CM1-100 |
| | Small | OVL-0-CM1-120 |
| | Medium | OVL-0-CM1-220 |
| Overlay Seat Cushion | Large | OVL-0-CM1-320 |
| | All sizes | CAST-0-CM1-100 |
| Set of Castors | Small | KITSID-0-CM1-140 |
| | Medium, Large | KITSID-0-CM1-240 |
| Transformer, Cable and Plug | All sizes | KITCAB-0-CM1-100 |

Technical Data

| Configura® Comfort 1 Chair | |
|----------------------------|-----------------------------|
| Noise Level: | < 60dB |
| User Weight Limit | 160 kg (352 lbs, 25 Stones) |
| Expected Service Life: | 7 Years |

| Power Supply | |
|--|------------------------------|
| Part No.: | TNSFM-0-CM1-100 |
| Model No.: | W52RA76-290018 |
| Power Mains Input: | AC100-240 V 50 / 60 Hz 1.5 A |
| Power Output: | DC 29 V 1.8 A |
| Fuse Rating: | 5A |
| Degree of protection against electric shock: | Class II Double Insulated |
| Degree of protection against liquid ingress: | IP20 |

| Backrest Actuator | | Lift Actuator | |
|--|-----------------------|--|------------------------|
| Part No.: | ACTBR-0-CM1-100 | Part No.: | ACTMN-0-CM1-100 |
| Model No.: | Alphadrive ADZ 10287 | Model No.: | Deltadrive 11379 |
| Power Input: | DC 24 V 4A | Power Input: | DC 24 V 2.2A |
| Degree of protection against liquid ingress: | IP20 | Degree of protection against liquid ingress: | IP20 |
| Duty Cycle: | 2 min ON / 18 min OFF | Duty Cycle: | 0.5 min ON / 4 min OFF |

Dimensions - Small / Small Tall

| Dimension (See Fig 17) | Small | Small Tall |
|-----------------------------------|----------------|----------------|
| Seat height (A) | 406 mm (16") | 457 mm (18") |
| Seat height with HAKs (A) | 457 mm (18") | 508 mm (20") |
| Seat width (B) | 457 mm (18") | 457 mm (18") |
| Seat depth position 1 (C) | 457 mm (18") | 457 mm (18") |
| Seat depth position 2 (C) | 508 mm (20") | 508 mm (20") |
| Armrest height (D) | 152 mm (6") | 152 mm (6") |
| Overall Width (E) | 711 mm (28") | 711 mm (28") |
| Overall Height - Upright (F) | 1092 mm (43") | 1143 mm (45") |
| Overall Length - Upright (G) | 940 mm (37") | 940 mm (37") |
| Rise height to front of chair (H) | Standard | 508 mm (20") |
| | Medium | 572 mm (22.5") |
| | Flat | 660 mm (26") |
| Total Length Fully Reclined (J) | 1702 mm (67") | 1702 mm (67") |
| Chair to wall / furniture (K) | 650 mm (25.5") | 650 mm (25.5") |

Dimensions - Medium / Medium Low Profile

| Dimension (See Fig 17) | Medium | Medium Low |
|-----------------------------------|----------------|----------------|
| Seat height (A) | 457 mm (18") | 406 mm (16") |
| Seat height with HAKs (A) | 508 mm (20") | 457 mm (18") |
| Seat width (B) | 508 mm (20") | 508 mm (20") |
| Seat depth position 1 (C) | 457 mm (18") | 457 mm (18") |
| Seat depth position 2 (C) | 508 mm (20") | 508 mm (20") |
| Armrest height (D) | 152 mm (6") | 152 mm (6") |
| Overall Width (E) | 762 mm (30") | 762 mm (30") |
| Overall Height - Upright (F) | 1143 mm (45") | 1092 mm (43") |
| Overall Length - Upright (G) | 940 mm (37") | 940 mm (37") |
| Rise height to front of chair (H) | Standard | 546 mm (21.5") |
| | Medium | 622 mm (24.5") |
| | Flat | 711 mm (28") |
| Total Length Fully Reclined (J) | 1702 mm (67") | 1702 mm (67") |
| Chair to wall / furniture (K) | 650 mm (25.5") | 650 mm (25.5") |

Dimensions - Large / Large Low Profile

| Dimension (See Fig 17) | Large | Large Low |
|-----------------------------------|----------------|----------------|
| Seat height (A) | 457 mm (18") | 406 mm (16") |
| Seat height with HAKs (A) | 508 mm (20") | 457 mm (18") |
| Seat width (B) | 559 mm (22") | 559 mm (22") |
| Seat depth position 1 (C) | 457 mm (18") | 457 mm (18") |
| Seat depth position 2 (C) | 508 mm (20") | 508 mm (20") |
| Armrest height (D) | 152 mm (6") | 152 mm (6") |
| Overall Width (E) | 812 mm (32") | 812 mm (32") |
| Overall Height - Upright (F) | 1143 mm (45") | 1092 mm (43") |
| Overall Length - Upright (G) | 940 mm (37") | 940 mm (37") |
| Rise height to front of chair (H) | Standard | 546 mm (21.5") |
| | Medium | 622 mm (24.5") |
| | Flat | 711 mm (28") |
| Total Length Fully Reclined (J) | 1702 mm (67") | 1702 mm (67") |
| Chair to wall / furniture (K) | 650 mm (25.5") | 650 mm (25.5") |

Seat Angles - All Models

| Dimension (See Fig 17) | Angle |
|-------------------------------------|-------|
| Standard seat angle (a°) | 6° |
| Tilt in space seat angle (b°) | 26° |
| Rise angle (standard position) (c°) | 23° |
| Rise angle (medium position) (c°) | 14° |
| Rise angle (flat position) (c°) | 2° |
| Standard backrest angle (d°) | 100° |
| Recline backrest angle (e°) | 128° |

Weights

| Chair Model | Description | Weight |
|-----------------|------------------|-----------------|
| CHAIR-0-CM1-140 | Comfort - Small | 65 kg (143 lbs) |
| CHAIR-0-CM1-240 | Comfort - Medium | 68 kg (150 lbs) |
| CHAIR-0-CM1-340 | Comfort - Large | 71 kg (156 lbs) |

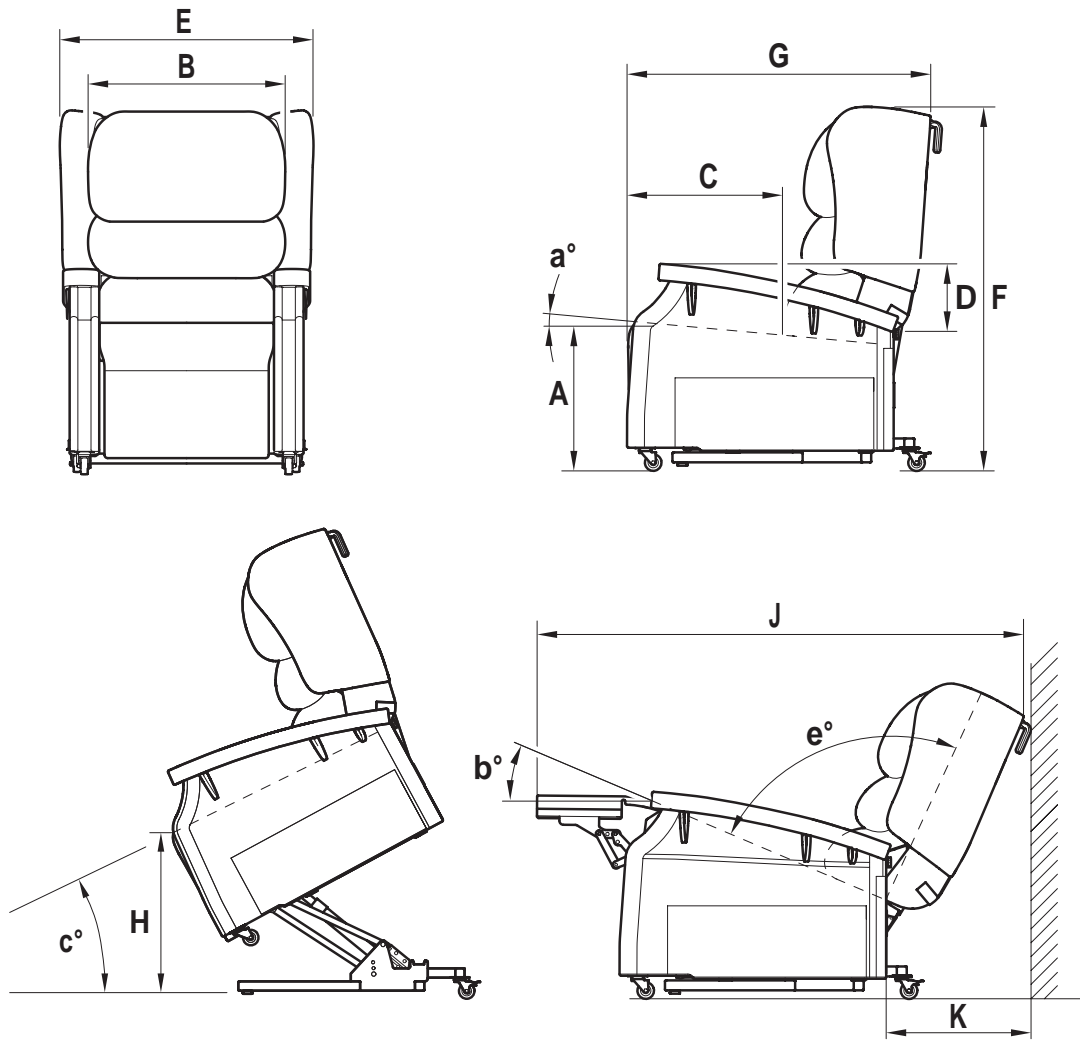
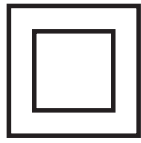


Figure 17 - Configura® Comfort 1 Dimensions



Double Insulated



Class I 93/42/EEC



Important, Refer to Instructions For Use



Indoor Use Only



Manufactured By



Do not dispose of in domestic refuse



CAUTION: Risk of Electric Shock

17. Guarantee

The warranty period for the Configura® Comfort 1 is 24 months, covering parts and labour only. We require a purchase order for any parts despatched, warranty or otherwise. Any issues regarding warranty should be addressed in the first instance to your supplier.

18. Standards

Enable Lifecare is committed to deliver safe products to our customers and has a policy of continuous improvement.

In order to achieve this commitment, the following standards have been followed.

Council Directive 93/42/EEC Medical Device Class I

BS EN 12182:2012 Assistive products for persons with disability - General requirements and test methods

BS EN ISO 14971:2012 Medical devices - Application of risk management to medical devices (ISO 14971:2007, Corrected version 2007-10-01)

19. Contact Details

If you need further information, please contact us at:

Enable Lifecare

2 Selgar Avenue, Tonsley SA, 5042

Tel: 1300 370 370

E-mail: support@enablelifecare.com.au

Web address: www.enablelifecare.com.au



At Enable we source quality, affordable and innovative products globally and have them available for fast delivery. But we do more than just provide products.

We give the knowledge and support to help our customers grow their business and deliver better life care.



ENABLE LIFECARE PTY LTD

T 1300 370 370

enablelifecare.com.au